



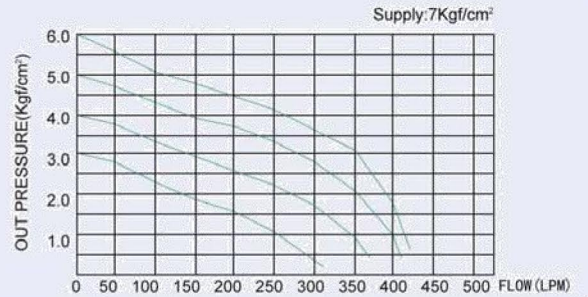
ALY-200(aluminum) and ALY-205 (stainless steel) air supply processing components feature stout and durable external appearance, stable flow, simple mounting and maintenance, with two varieties of totally aluminum housing and SS316 housing for option.

**Main Features:**

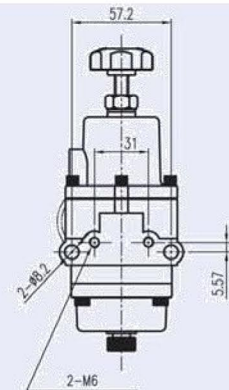
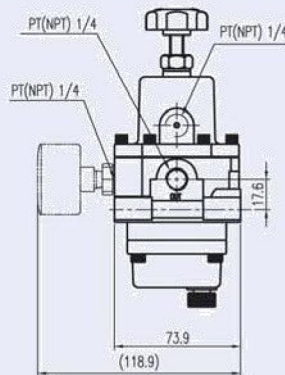
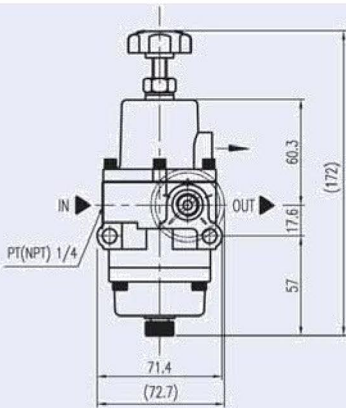
1. Regardless of change with pressure and flow in main pipeline, it can keep a specific pressure value
2. Light weight, small structure and easy erection and maintenance
3. They can filter small particles
4. Stainless steel 316 housing and aluminum housing are available for option



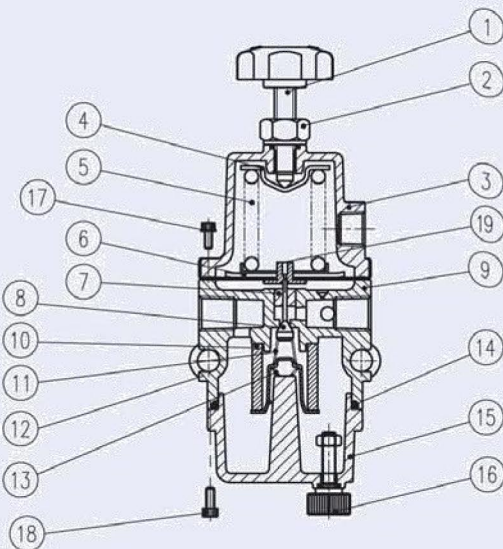
Item . Type	ALY200	ALY205
Highest Working Pressure	1.5 Mpa	
Range of Output Pressure	0.05 ~ 0.84 MPa	
Operation Temperature	-20 ~ 70 °C	
Min. Filtering Size	5 micron	
Air & Gauge Connection	1/4"G (NPT)	1/4"NPT
Weight	0.6 KG	1.4 KG



## Dimensions



## Parts and Material



No.	Parts	Q.ty	ALY200	ALY205
1	Regulating handwheel	1	SS304+ABS	SS304+ABS
2	Nut	1	SS304	SS304
3	Up body	1	Aluminum	SS316
4	Pressing cap	1	Carbon steel	Carbon steel
5	Spring	1	Spring steel	Spring steel
6	Separator	1	PA66	PA66
7	Diaphragm	1	NBR	NBR
8	Valve stem	1	NBR+HP659-1	NBR+HP659-1
9	Valve body	1	Aluminium	SS316
10	Filter	1	P.E.	P.E.
11	Spring	1	SS304	SS304
12	Spring	1	SS304	SS304
13	Filter holder	1	ABS	ABS
14	O-ring	1	NBR	NBR
15	Down body	1	Aluminum	SS316
16	Draining screw	1	SS304+ABS	SS304+ABS
17	Screw	6	SS304	SS304
18	Screw	4	SS304	SS304
19	Hard core	4	Alu.LY12	Alu.LY12