



## General Purpose Straight Through Control Valve-Summary



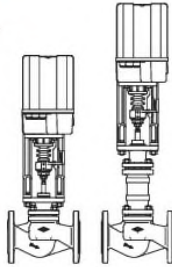
**ARI-STEVI® 440 / 441**  
 with electric and pneumatic actuators

Control valve - straight through with flanges  
 DN 15 - 250

**ARI-STEVI® 440 / 441**

**Electric actuator ARI-PREMIO**

- Enclosure IP 65
- 2 torque switches
- Handwheel
- Additional devices available, e.g. potentiometer



Page 2

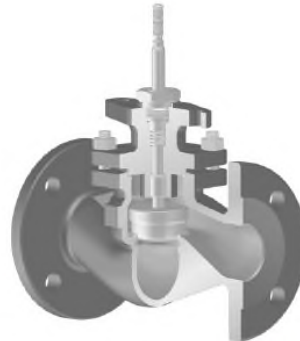
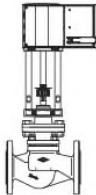


Fig. 440

**ARI-STEVI® 440**

**Electric actuator FR1 with safety reset**

- Operation mode for safety function CLOSE
- Enclosure IP 66
- Operating time adjustable
- Additional devices available, e.g. potentiometer

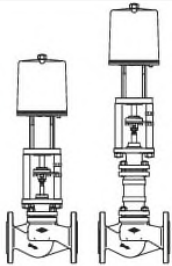


Page 10

**ARI-STEVI® 440 / 441**

**Electric actuator FR2 with safety reset**

- Type approval acc. to DIN 32730 for Fig. 440 with FR 2.1
- CE-marking from DN15
- Optional direction for safety reset, OPEN or CLOSE, as required
- Enclosure IP 54
- 1 travel switch for OPEN and CLOSE
- Additional devices available, e.g. potentiometer



Page 14

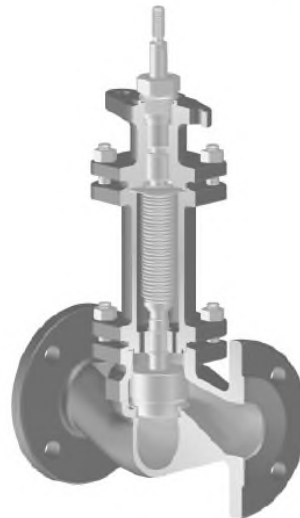
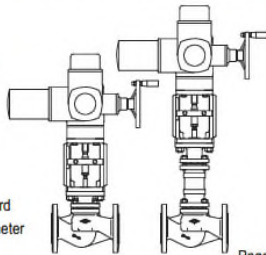


Fig. 441

**ARI-STEVI® 440 / 441**

**Electric actuator AUMA SAR**

- Electric multiturn actuator, capable of high closing pressures
- Enclosure IP 67
- 2 torque switches
- 2 travel switches
- Handwheel
- Overheating protection for motor as standard
- Additional devices available, e.g. potentiometer
- Explosion proof version available

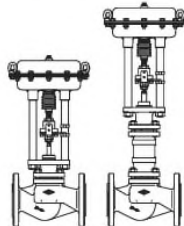


Page 18

**ARI-STEVI® 440 / 441**

**Pneumatic actuator ARI-DP**

- Reversible pneumatic actuator
- Actuator with rolling diaphragm
- Air supply pressure max. 6 bar
- Stem protection by bellow
- Maintenance-free O-ring sealing
- Assembly of additional devices acc. to DIN IEC 60534-6



**Features:**

- Compact design
- Precision guided stem
- Burnished stem
- Tapered seat ring
- Rangeability 50 : 1
- Spring loaded PTFE-V ring packing unit
- Two-ply bellows seal as standard
- Travel indicator

For further details please contact your local VCS office ensuring you have all the system requirements or if wishing a refurbishment or direct replacement the appropriate model number etc.