



STEAM INDUSTRY ANGLE PATTERN GLOBE VALVE

This style of valve was once common place in the steam industry however with the rationalization or closures of many factories issues such as availability caused the decline in its use. These valves are ideally suited for applications such as crown valves on vessels or other applications where a right-angle valve saves space changing pipe direction. The angle valves discharge conditions can also be favourable in respects to fluid dynamics and erosion making them the preferred selection of valve in these instances.

Cast Steel Angle Pattern Globe Valve **Fig. VGLC305RA**

DESCRIPTION

Cast steel globe valve angle pattern bolted bonnet outside screw and yoke, rising stem hard faced plug type disc with hard faced body seat rings (full stellite trim is standard) back-seating design.

ENDS

Available to suit AS 2129 Table F / H drilled or drilled A.N.S.I. 300 raised face conforming to ASME B16.5

Face to face dimensions to A.N.S.I. B16.10

SIZE RANGE

50mm to 200mm

Larger sizes available on request.

On indent additional sizes 15nb to 250nb available in API classes
150 - 300 - 600 - 900 - 1500 in WCB cast steel.

PRESSURE/ TEMPERATURE RATING

1860 kpa at 454 Deg C

5100 kpa at -29 Deg C to +38 Deg C (740psi/100F)

Note this is the highest rating available which relates to ANSI 300 your pressure temperature rating if you select Table F or H is relative to the flange rating.

TEST PRESSURES

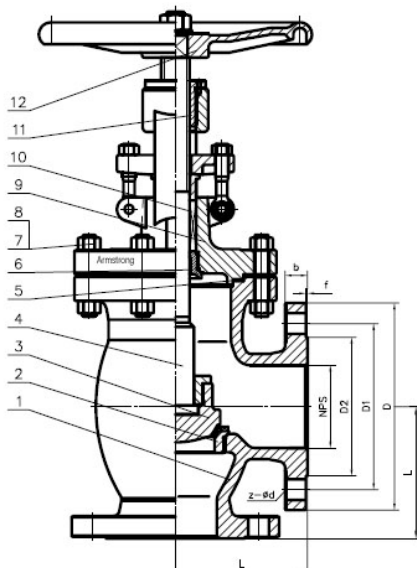
Body 7800 kpa hydrostatic.

Seat 5700 kpa hydrostatic.

Tested to A.P.I. 598

OPTIONS

GLOBE STOP – CHECK facility.



12	Handwheel	Cast Iron	
11	Stem Nut	Copper Alloy	
10	Packing	FLEXIBLE GRAPHITE	
9	Bonnet	ASTM A216–WCB	
8	Bonnet Bolt Nut	ASTM A194 Gr.2H	
7	Bonnet Bolt	ASTM A193 Gr.B7	
6	Back Seat Bushing	ASTM A276–410	
5	Gasket	FLEXIBLE GRAPHITE/304	
4	Stem	ASTM A182–F6a	
3	Disc	ASTM A105 deposited stellite	
2	Seat	ASTM A105 deposited stellite	
1	Body	ASTM A216–WCB	
NO	PART NAME	MATERIAL	REMARKS

DN (mm)	50	65	80	100	125	150
L (Right angle length)	133	146	159	178	200	222
B (hand-wheel dimension)	229	254	279	330	406	457
C (height)	398	405	415	455	520	560
Wt (kgs) approximate	30	42	55	85	131	160