



VALVE AND FLOW CONTROL SPECIALISTS
SERVICE AND RELIABILITY

Bronze Gate Valve to AS 1628

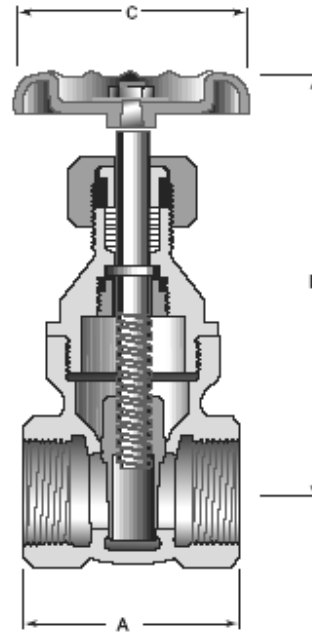
Figure VGA-B2070M

Gate valve for isolating duties.

Size Range: 15mm through 100mm
 PN 20 Non shock Cold Working Pressure
 Working pressure / temp 99 Deg C / 1.7mpa
 Hydrostatic closure seat tests in
 Accordance to ISO 5208
 Body markings comply with AS 1628
 Pipe threads to BS 21 BSP
 Designed to AS 1628
 T handle Option

Features

- Non-Rising Stem
- Screwed Bonnet
- Threaded Ends
- Solid Wedge
- Full Ports
- Integral Bronze Seat
- Back seat design



DIMENSIONS MM

Size	A	B	C
15	54	85	50
20	57	91	63
25	65	109	66
32	75	125	76
40	78	137	88
50	91	162	100
65	102	211	117
80	112	231	127
100	142	256	145

NOTE: This is not a DZR brass bodied valve like early versions of AS 1628 standard valves but full ASTM B62 BRONZE

Part No	Material
Body	Bronze ASTM B62 C83600
Bonnet	Bronze ASTM B62 C83600
Stem	As 352 / ASTM B16
Wedge	Bronze ASTM B62 C83600
Lock nut	As 352 / ASTM B16
Gland nut	As 352 / ASTM B16
Gland	As 352 / ASTM B16
Packing	Teflon
Handwheel	Cast Iron or Alloy
Wheel nut	As 352 / ASTM B16
Id plate	Aluminum

Refer VCK-B2047 for matching AS 1628 swing check val;ve.