



**VALVE AND FLOW CONTROL SPECIALISTS**  
*SERVICE AND RELIABILITY*

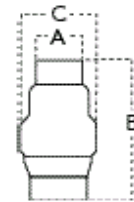
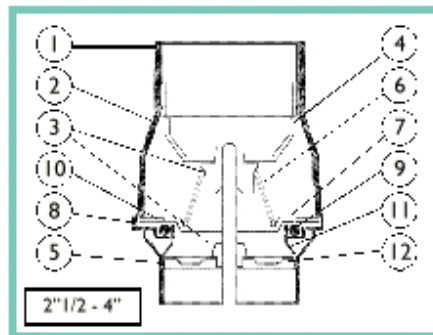
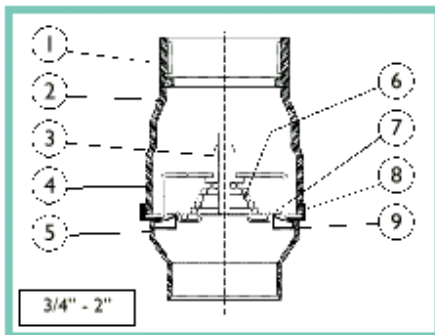
**INLINE SPRING LOADED STAINLESS STEEL CHECK VALVE**

These check valves are the result of the decision to broaden the use of stainless steel using constructional techniques that ensures an economical yet quality finished product that is reliable, efficient and a modern alternative to the traditionally-designed check valves.

They are available in the following versions:  
Threaded version In 8 sizes from 3/4" to 4".

**1/4", 3/8" & 1/2" in similar design now also available.** The sizes 2 1/2, 3' and 4" can easily be disassembled to replace the internal parts. Available in stainless steel Aisi 304 (1.4301 or 1.4304) or Aisi 316 (1.440 or 1.4404) and seal ring in EPDM,NBR,FPM e PTFE.

Threaded ends female/female according to ISO 228.



**Materials of Construction**

Component	Aisi 304 Version	Aisi 316 Version
Outlet end	Aisi 304	Aisi 316
Valve body	Aisi 304	Aisi 316
Guide bush	PTFE	PTFE
Guide bush	Aisi 304	Aisi 316
Inlet end	Aisi 304	Aisi 316
Spring	Aisi 316	Aisi 316
Flow control disc	Aisi 316	Aisi 316
Seal ring housing	Aisi 304	Aisi 316
Seal ring	EPDM,NBR,FPM,PTFE FPM,PTFE	
Seal ring retainer	Aisi 304	Aisi 316
Seal housing support	Aisi 304	Aisi 316
Outlet side guide	Aisi 304	Aisi 316

Dimensions and weights

Size	A	B	C	WT (gr)
1/4	DN8	54	32	125
3/8	DN10	54	32	115
1/2	DN15	54	32	95
3/4	DN20	70	74	129
1	DN25	84	53	191
1 1/4	DN32	99	62	281
1 1/2	DN40	119	78	388
2	DN50	123	89	704
2 1/2	DN65	147	113	1425
3	DN80	166	132	2085
4	DN100	193	167	3415

Dimensions in MM