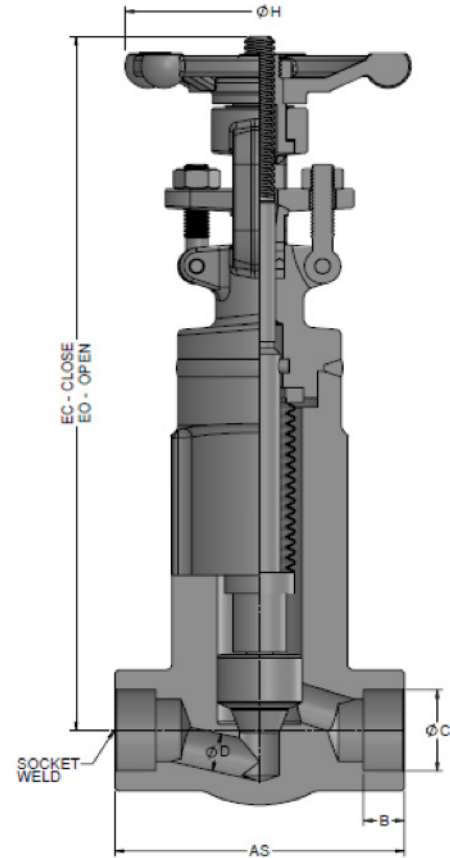
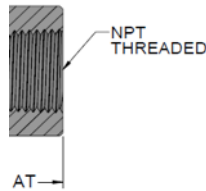
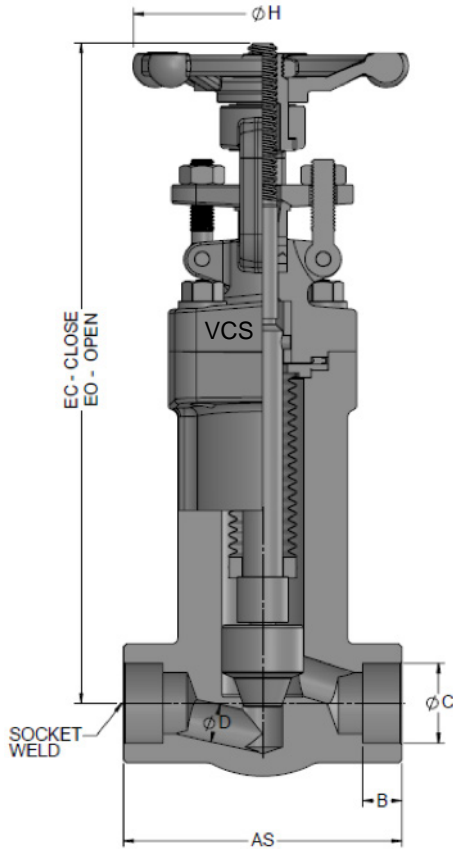




**VALVE AND FLOW CONTROL SPECIALISTS**  
*SERVICE AND RELIABILITY*

# Bellows Seal Globe Valve Standard Port



**Bolted Bonnet GLBSBB800S/N**

**Welded Bonnet GLBSWB800S/N**

STANDARDS	
DESIGN:	API 602 MSS SP-118 ASME B16.34
TESTING:	API 598
PRESSURE CLASS:	NPT, SW & BW - 800
CONNECTIONS:	NPT - ASME B1.20.1 SW - ASME B16.11 BW - ASME B16.25

STANDARD MATERIAL LIST	
Part Name	SPECIFICATION
Bellows	F316L / F321

DIMENSIONS											WGT.(lb/kg)	
SIZE		AT/AS 800	B (Min)	C (Min)	D (Min)-NPT/ SW	EC-NPT/SW (502)	EO-NPT/SW (502)	EC-NPT/SW (506)	EO-NPT/SW (506)	H	NPT/SW (502)	NPT/SW (506)
1/4	Inch	3.11	0.39	0.56	0.27	8.94	9.37	9.17	9.57	3.94	7.94	7.72
	mm	79.0	10.0	14.2	6.8	227.0	238.0	233.0	243.0	100.0	3.6	3.5
3/8	Inch	3.11	0.39	0.69	0.27	8.94	9.37	9.17	9.57	3.94	7.94	7.72
	mm	79.0	10.0	17.6	6.8	227.0	238.0	233.0	243.0	100.0	3.6	3.5
1/2	Inch	3.11	0.39	0.86	0.37	8.94	9.37	9.17	9.57	3.94	7.72	7.50
	mm	79.0	10.0	21.8	9.5	227.0	238.0	233.0	243.0	100.0	3.5	3.4
3/4	Inch	3.62	0.51	1.07	0.49	8.94	9.37	9.17	9.57	3.94	8.38	8.16
	mm	92.0	13.0	27.2	12.5	227.0	238.0	233.0	243.0	100.0	3.8	3.7
1	Inch	4.37	0.51	1.33	0.69	10.43	10.94	9.17	9.57	4.72	12.79	12.57
	mm	111.0	13.0	33.9	17.5	265.0	278.0	233.0	243.0	120.0	5.8	5.7
1-1/2	Inch	5.98	0.51	1.92	1.12	11.06	11.81	13.94	14.65	6.30	22.49	22.05
	mm	152.0	13.0	48.8	28.5	281.0	300.0	354.0	372.0	160.0	10.2	10.0
2	Inch	6.77	0.65	2.41	1.44	13.19	14.02	16.14	17.13	8.66	35.27	34.83
	mm	172.0	16.5	61.2	36.5	335.0	356.0	410.0	435.0	220.0	16.0	15.8