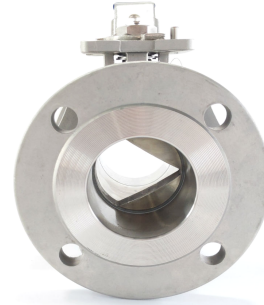




Flanged V Port Ball Valve
Figure Number BLSVF150

Features:

- Size 20mm to 100mm
- Body 316 Stainless Steel 2 piece 60 degree V port
- Seat PTFE
- Pressure 20 BAR
- Temperature -20°C to 180°C
- Actuation Lockable Lever



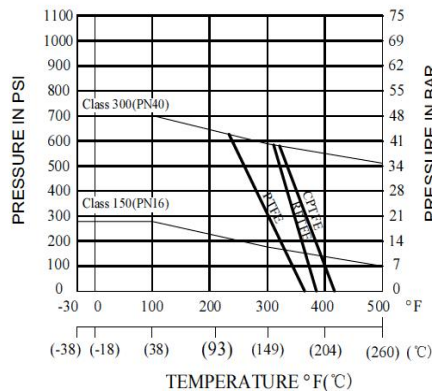
Description:

Two piece two way ANSI 150 RF flanged 60 degree V port ball valve, lockable lever operation. 316 Stainless Steel body, PTFE seats, FKM backing ring, live loaded packing and anti static device. ISO5211 Mounting Pad allowing direct coupling of actuation. Great for flow control applications especially when coupled with a modulating actuator or positioner. For steam or higher wear applications we recommend changing to a 50% impregnated scintered stainless steel seat (optional).

- Design & Manufacture to ANSI B16.34
- Face to Face comply with ANSI B16.10
- Flange Ends comply with ANSI B16.5
- Inspection & Testing in accordance with API598

Model	Size (mm)	Media Pressure	Media Temperature	Torque (Nm)
BLSVF-L-T60	20	Vacuum to 20 BAR	-20°C to 180°C	10
BLSVF-L-T60	25	Vacuum to 20 BAR	-20°C to 180°C	16
BLVSF-L-T60	32	Vacuum to 20 BAR	-20°C to 180°C	24
BLSVF-L-T60	40	Vacuum to 20 BAR	-20°C to 180°C	32
BLSVF-L-T60	50	Vacuum to 20 BAR	-20°C to 180°C	48
BLSVF-L-T60	63	Vacuum to 20 BAR	-20°C to 180°C	72
BLSVF-L-T60	80	Vacuum to 20 BAR	-20°C to 180°C	90
BLVSF-L-T60	100	Vacuum to 20 BAR	-20°C to 180°C	140

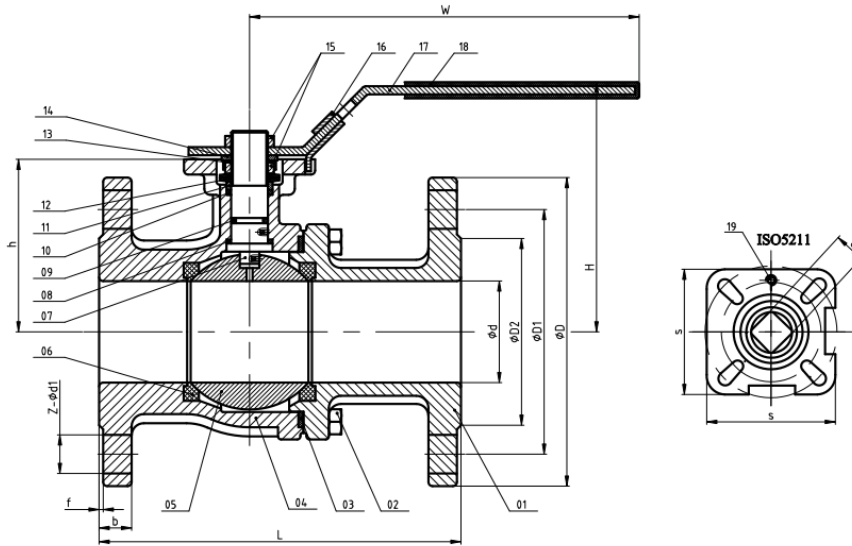
PRESSURE-TEMPERATURE CHART



Flanged V port Stainless Steel Ball Valve

Figure Number BLSVF150

Dimensions: 50mm to 100mm



Size	d	L	D	D1	D2	b	f	H	W	C	ISO5211	Z-Ød1	h	s	Kgs
1/2"	15	108	89	60.5	35	11	2	82	117	9	F03/F04	4-15	48	42.6	1.48
3/4"	20	117	98	70	43	11	2	87	117	9	F03/F04	4-15	53	42.6	2.04
1"	25	127	108	79.5	51	12	2	90	164	11	F04/F05	4-15	58.5	50	2.86
1-1/4"	32	140	117	89	64	13	2	100	164	11	F04/F05	4-15	71	50	3.94
1-1/2"	40	165	127	98.5	73	15	2	116	203	14	F05/F07	4-15	76.5	64.5	5.94
2"	50	178	152	120.5	92	16	2	125	203	14	F05/F07	4-19	85	64.5	7.61
2-1/2"	65	190	178	139.5	105	18	2	164	255	17	F07/F10	4-19	110	93.6	13.2
3"	80	203	190	152.5	127	19	2	174	255	17	F07/F10	4-19	122.5	93.6	17.1
4"	100	229	229	190.5	157	24	2	200	302	17	F07/F10	8-19	145.5	93.6	29.2
5"	125	356	254	216	186	24	2	258	600	22	F10/F12	8-18	185	114	42
6"	150	394	279	241.5	216	26	2	276	600	22	F10/F12	8-22	202.5	114	82
8"	200	457	343	298.5	270	29	2	350	800	27	F12/F14	8-22	257	131	140

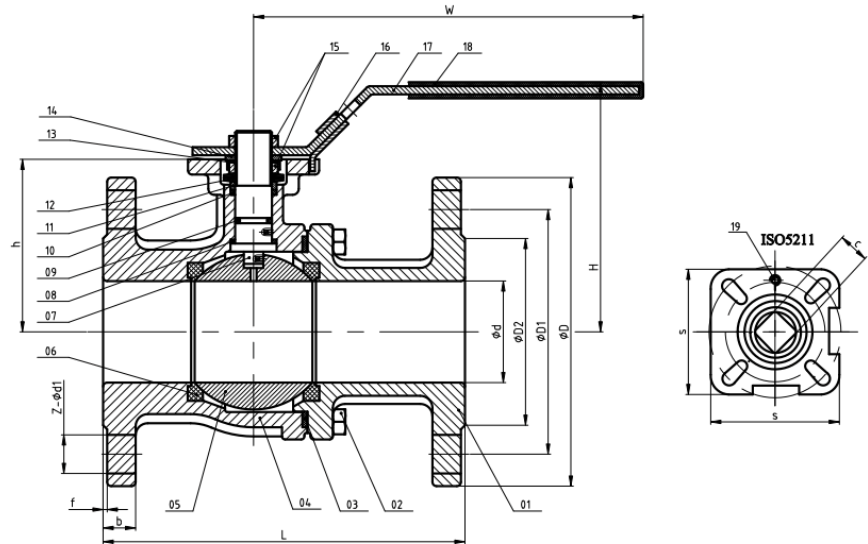
Uncontrolled document subject to change without notice

Brisbane Sydney Victoria Darwin
VALVE AND FLOW CONTROL SPECIALISTS PTY LTD
 E-mail sales@valveandflowcontrolspecialists.com

Flanged V port Stainless Steel Ball Valve

Figure Number BLSVF150

Construction: 50mm to 100mm



Item	Part	Material	Qty
1	Cap	1.4408 (CF8M)	1
2	Bolt	SS304	4(8)
3	Body Gasket	Pure Graphite	1
4	Body	1.4408 (CF8M)	1
5	Ball	SS316	1
6	Ball Seat	Pure PTFE	2
7	Stem	SS316	1
8	Thrust Washer	Pure PTFE	1
9	O-ring	Viton	1
10	Stem Packing	Pure Graphite	1
11	Packing Ring	SS304	1
12	Belleville Washer	SS301	2
13	Nut Stopper	SS304	1
14	Plate Washer	SS304	1
15	Nut	SS304	2
16	Lock Device	SS304	1
17	Handle	SS304	1
18	Plastic Cover	Plastic	1
19	Stop Pin	SS304	1