



VALVE AND FLOW CONTROL SPECIALISTS
SERVICE AND RELIABILITY

PFA Lined 304 Stainless Ball Valve ASA 150

FIGURE NO. VBL-S15PL

2 - Piece Ball Valve. Full Port Flanged

End Type : ASA 150 RF Flanged

Materials : CF8 (304) stainless steel

- * High quality 2 piece cast body , Floating ball
- * F-F Ansi B16.10 flanged to Ansi B16.5 Ansi 150
- * Temperature -29 to 180 Deg C
- * PTFE seats,
- * Body and Ball ASTM A351 CF8 + PFA
- * Test to API 598
- * **Economical non-firesafe ball valve for chemical / acid / Alkali or salt water applications**

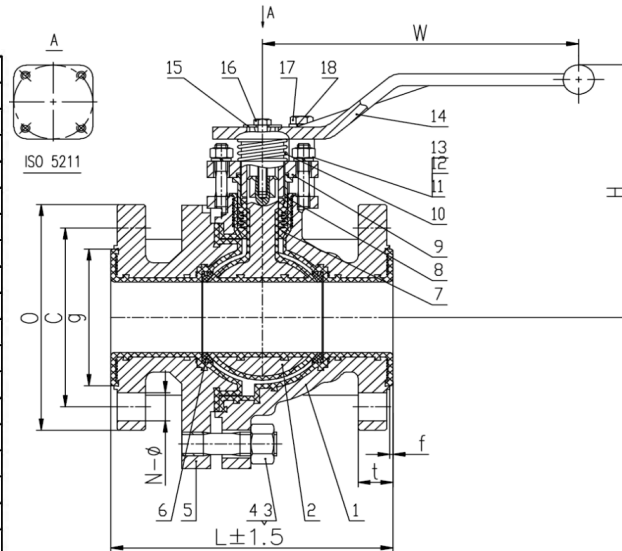
OPTIONS :

- * Pneumatic or Electric Actuation.



MODEL NO : VBL-S15PL
SIZE : 1/2" - 6" Full bore (stock)
Flanged ASA 150

NO.	PART NAME	MATERIAL
1	BODY	ASTM A351 CF8+PFA
2	BALL	ASTM A351 CF8+PFA
3	BOLT	ASTM 304SS
4	NUT	ASTM 304SS
5	BONNET	ASTM A351 CF8+PFA
6	SEAT	PTFE
7	PACKING	PTFE
8	PACKING BUSHING	ASTM A276 304
9	PACKING GLAND	ASTM A351 CF8
10	SPRING	AISI 321
11	BOLT	ASTM A276 304
12	NUT	ASTM A276 304
13	SPRING	AISI 321
14	WRENCH	AISI 321
15	GASKET	AISI 321
16	BOLT	ASTM A276 304
17	BOLT	ASTM A276 304
18	LOCK	AISI 321



SIZE	L	o	c	g	t	f	N - ø	H	W	ISO	TORQUE
15	108	90	60.5	35	12.5	2	4 - ø15	128	160	F05	9
20	117	100	70	43	13	2	4 - ø15	128	160	F05	9
25	127	110	79.5	51	13	2	4 - ø15	133	160	F05	9
32	140	115	88.9	63.5	15	2	4 - ø15	160	200	F07	20
40	165	125	98.5	73	17	2	4 - ø15	160	200	F07	20
50	178	150	120.5	92	18.5	2	4 - ø19	170	200	F07	26
65	190	180	140	105	20	2	4 - ø19	170	200	F07	26
80	203	190	152.5	127	21.5	2	4 - ø19	230	260	F07	65
100	229	230	190.5	157	26.5	2	8 - ø19	265	313	F10	91
150	267	280	241.5	216	27	2	8 - ø22	367	535	F12	143
200	292	345	298.5	270	29	2	8 - ø22	GEAR		F14	364

VCS also has a complete range of actuation to compliment these valves along with strainers, plug, butterfly and check valves.

Uncontrolled document subject to change without notice

Valve & Flow Control Specialists Pty Ltd.
Brisbane - Sydney - Melbourne - Darwin

Email sales@valveandflowcontrolspecialists.com