

Dk-Lok Z Series single ferrule tube fitting is designed and manufactured to the highest quality standards. This fitting includes single ferrule with standard Dk-Lok fitting body and nut. To help identify Dk-Lok Z series from Dk-Lok Tube fitting, nut is black Molybdenum Disulfide (MoS₂) coated.

Material

Dk-Lok Z Series single ferrule tube fitting is manufactured in stainless steel 316.

Pressure and Temperature Ratings

Dk-Lok Z Series fittings are identical to Dk-Lok Tube Fittings in pressure and temperature ratings.

Dimensions

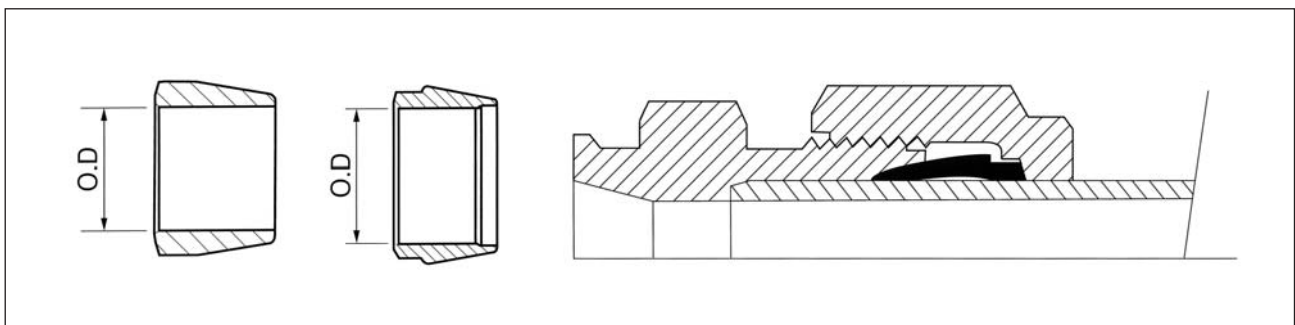
Dk-Lok Z Series fittings are dimensionally identical to Dk-Lok Tube Fittings.

Ordering Information

To order Z series, insert Z in the standard Dk-Lok tube fitting part number. Examples : DUZ-8-S, DMCZ8-8N-S, DNZ-4-S

Z Series Ferrule

Z series Ferrule	
Part No.	Tube O.D.
DFZ- 4	1/4
DFZ- 6	3/8
DFZ- 8	1/2
DFZ- 12	3/4
DFZ- 16	1



DK-Lok AUSTRALIA - Contact
VALVE AND FLOW CONTROL SPECIALISTS PTY LTD
E-mail sales@valveandflowcontrolspecialists.com

Brisbane Sydney Melbourne Darwin

IDK-LOK USA