



VALVE AND FLOW CONTROL SPECIALISTS
SERVICE AND RELIABILITY

Y Strainer Stainless Steel ASA 150

FIGURE NO. VYS-S154

Uni cast Body SS Flanged

End Type : ASA 150 RF Flanged

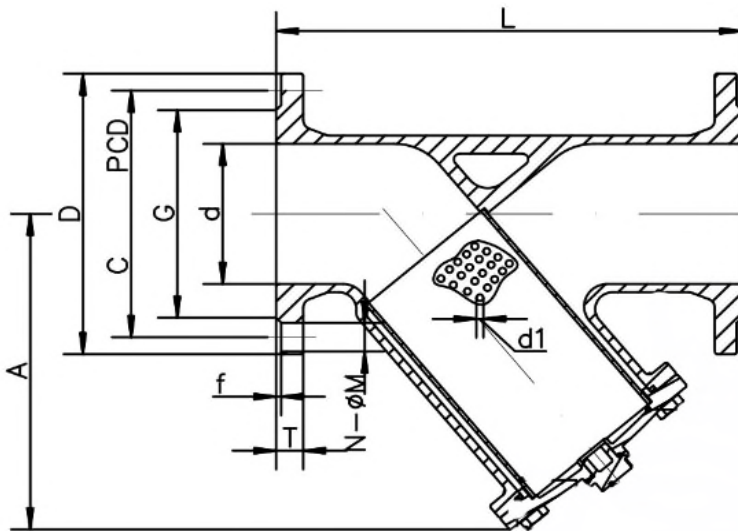
Materials : 316 SS Body 316 1mm perf stainless steel screen

Size Range: 25nb to 300nb

- * Bolted capl
- * F-F Ansi B16.34 flanged to Ansi B16.5 Ansi 150
- * Temperature -10 to 180 Deg C
- * One piece casting not fabricated,
- * Test to API 598
- * **Drilled Ansi 150 and E option.**

OPTIONS :

- * Blowdown Valve.



DN	d	L	A	D	C	G	T	f	d1	M	N
25	25	150	100	108	79.5	51	12	2	1	15	4
32	32	180	114	117	89	64	3	2	1	15	4
40	40	190	135	127	98.5	73	15	2	1	15	4
50	50	210	155	152	120.5	92	16	2	1	19	4
65	65	250	189	178	139.5	105	18	2	2	19	4
80	80	280	200	190	152.5	127	19	2	2	19	4
100	100	340	232	229	190.5	157	24	2	2	19	8
125	125	380	274	254	216	186	24	2	2	22	8
150	150	420	326	279	241	216	26	2	2	22	8
200	200	500	397	343	298.5	270	29	2	2	22	8
250	250	540		406	362	324	30.2	2	2	25	12
300	300	610		483	432	381	31.8	2	2	25	12

All dimensions in mm unless shown otherwise.

VCS also has a complete range of actuation to compliment these valves along with strainers, plug, butterfly and check valves.

Uncontrolled document subject to change without notice