



VALVE AND FLOW CONTROL SPECIALISTS
SERVICE AND RELIABILITY

STAINLESS STEEL 3 PIECE BALL VALVE

FIGURE NO. VBL-S1003CE

3 - PC BALL VALVES. FULL PORT. 1000 WOG

End Type : Threaded end. BSP or NPT

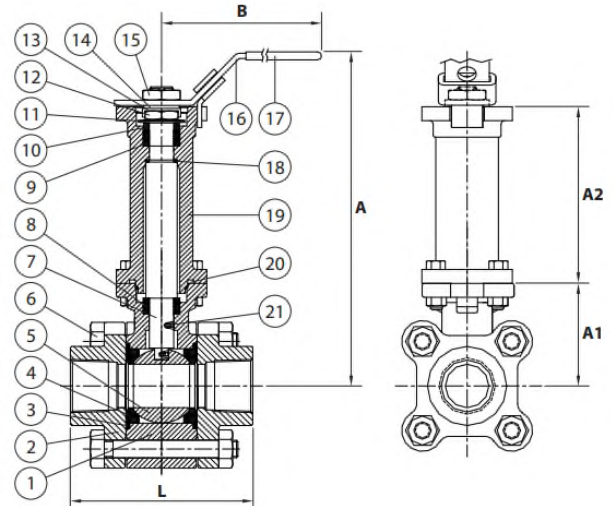
Materials : ASTM A351-CF8M (DIN 1.4408) Stainless Steel

- * Iso mounting pad.
- * Bolted / in line easy maintenance
- * Pressure temperature rating : 1000 PSI -196 C to +60 Deg C
- * Vented Ball cavity relief.
- * Blow-out proof stem S/S 316, adjustable stem packing.
- * NPT or BSP Female Threads
- * Lever operated – Actuated option

PARTS MATERIALS		
POS.	PART	MATERIAL
1	BODY	STAINLESS STEEL 316
2	END ADAPTOR	STAINLESS STEEL 316
3	BODY GASKET	TFM 1600
4	SEAL	DYNEON™ (TFM 4215)
5	BALL	STAINLESS STEEL 316
6	BOLTS	STAINLESS STEEL 304
7	STEM	STAINLESS STEEL 630
8	STEM PACKING A	TFM 1600
9	STEM PACKING B	TFM 1600
10	GLAND	STAINLESS STEEL 304
11	GLAND WASHER	STAINLESS STEEL 301
12	STEM NUT	STAINLESS STEEL 304
13	NUT STOP	STAINLESS STEEL 304
14	SPACE WASHER	STAINLESS STEEL 304
15	HANDLE NUT	STAINLESS STEEL 304
16	HANDLE	STAINLESS STEEL 304
17	HANDLE COVER	PLASTISOL
18	THRUST WASHER	TFM 1600
19	BRACKET	STAINLESS STEEL 304
20	BONNET GASKET	TFM 1600
21	ANTI-STATIC DEVICE	STAINLESS STEEL 316

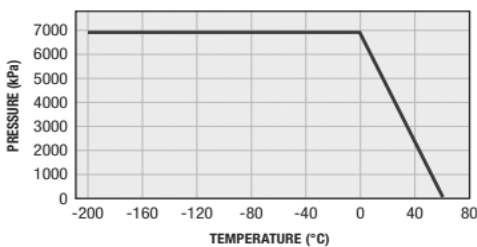


DIRECT MOUNT CRYOGENIC BALL VALVE



MODEL NO : VBL-S1003CE
SIZE : 15nb-25nb FULL BORE
Range available up to 50nb

PRESSURE/TEMPERATURE GRAPH



Dimensions (mm)

Size	A	A1	A2	B	L	Kv	Wgt Kg
15	279	48	200	132	70	18	1.77
20	279	53	200	165	92	43	2.79
25	284	59	200	165	105	77	3.60



Also to BS6364 ANSI 150 Flanged Valves in sizes 15nb to 100nb