



VALVE AND FLOW CONTROL SPECIALISTS
SERVICE AND RELIABILITY

BUTTERFLY VALVE – Shouldered Ends

FIGURE NO. VBY-D20SH-G

End Type: Shouldered Ends

Materials: Ductile iron Body, Ductile iron EPDM
Coated disc. Seal on body

Size range: 50nb – 200mm (stock 100-150nb)

Design Stds: MSS-SP-67 Face to Face

ISO 5211 top flange

AWWAC-606 Design

Max Operating pressure 20 bar

Max temp. 70 Deg C

Features: Drip tight in both directions

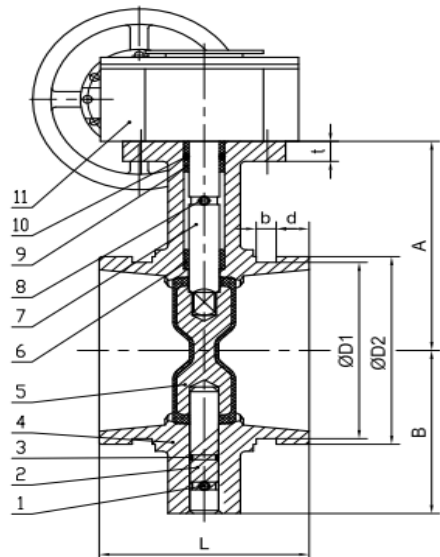
Triple shaft top seals

Top and bottom keyed shaft stems minimize deflection

Options: Lever / Gearbox or Actuated

For larger sizes refer "Victaulic catalogue

VCS For GROOVED ENDS refer VBY-D16G-G



No.	PART	MATERIAL
1	Set Screw	Carbon Steel
2	Low Stem	SS 416
3	O-Ring	EPDM
4	Body	DI
5	Disc	DI + EPDM
6	Bushing	PTFE
7	Upper Shaft	SS 416
8	Set Screw	Carbon Steel
9	Bushing	PTFE
10	O-Ring	EPDM
11	Gear Box	

Dimensions (mm)

NPS	DN	L	A	B	D ₁	D ₂	t	b	d	n x n	Weight (Kg)
4"	100	116.2	136	106	114.6	122	13	11	18	11 x 11	10.3
6"	150	134.5	183.5	125	165	175.3	13	11	18	14 x 14	16

Uncontrolled document subject to change without notice.