



VALVE AND FLOW CONTROL SPECIALISTS
SERVICE AND RELIABILITY

Firesafe Class 800 Forged Ball Valve

FIGURE NO. VBL-F803F

3 - Piece Ball Valve. Full Port. API Class 800

End Type : Threaded ends NPT

Materials : ASTM A105 Forged Steel
316L Stainless Steel (Fig no. VBL-S803F)

- * High quality forged steel body with enclosed body bolts.
- * Floating ball Design BS 5351
- * Pressure temperature rating : Class 800 (1975psi cwp *)
- * 15% reinforced glass fibrous Teflon seats, in-line repairable.
- * Blow-out proof stem with loaded gland and disc spring washers.
- * 100% Tested air-under water at 100psi. Test to API 598
- * **Firesafe CERTIFIED to API 607 4th edition**



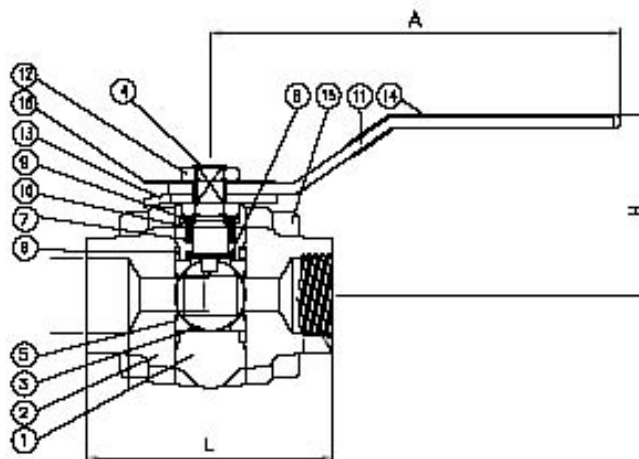
OPTIONS :

- * Padlocking Handle. Pneumatic Actuator or Electric Actuator.
- * Available in socket weld end and butt weld.

MODEL NO : VBL-F803F
SIZE : 1/2"-2" Full port
THREADED END : . NPT or SW

MATERIAL LIST

NO.	PART NAME	MATERIAL	Q'TY
1	BODY	A105	1
2	CAP	A105	2
3	BALL	A351 CF8M	1
4	STEM	A276 - 316	1
5	SEAT	REINFORCED PTFE	2
6	GASKET	Reinforced PTFE	2
7	STEM PACKING	Graphite	3
8	THRUST SEAL	35% carbon filled	1
9	DISC SPRING	Coated steel	1
10	GLAND	A276 - 316	1
11	LEVER	A283D-Ni plated	1
12	STEM NUT	A563A-Ni plated	1
13	STOP PLATE	A283D coated	1
14	SLEEVE	Vinyl	1
15	BODY BOLTS	A193-B7	4



DIMENSIONS (MM)

SIZE	ØD	L	H	A	WT/KG	TORQUE - INCH/LBS
½" - 15mm	14	73	52	120	0.8	On application
¾" - 20mm	20.5	88	60	145	1.0	" "
1" - 25mm	25	105	65	145	1.20	" "
1 ¼" - 32mm	31.6	116	86	175	1.40	" "
1 ½" - 40mm	38	128	93	175	1.55	" "
2" - 50mm	49	146	110	260	2.30	" "

2022

* Note: As with all valves "soft components" may limit pressure and temperature ratings. This is particularly pertinent in the larger sized and full bore valves. Pressure and temperature graphs are available on request.

Catalogue drawings are general arrangement only and could be subject to revision. If details are critical refer VCS for certified drawings at time of order.

Valve and Flow Control Specialists Pty Ltd.
Brisbane Sydney Melbourne Perth Darwin
Email: sales@valveandflowcontrolspecialists.com