



VALVE AND FLOW CONTROL SPECIALISTS
SERVICE AND RELIABILITY

STAINLESS STEEL MINI BALL VALVE BSP ENDS

Figure No VBL-MS1001

SCREWED BODY STAINLESS STEEL BALL VALVES. REDUCED PORT. 913 psi WOG

A compact general purpose compact ball valve for isolation duty on water, gas, chemicals where stainless components are compatible with media offering long lasting chemical corrosion resistance. Ideal for gauge isolation.

Thread End : BSP - FF/ MF or MM ends
Materials : ASTM A351-CF8M (DIN 1.4408) Stainless Steel

- * High quality investment casting.
- * Pressure rating: 913 PSI (PN63) CWP
- * Temperature Range -20 to 120 Deg C
- * Compact design minimizes lever operation.
- * Blow out proof steam.

OPTIONS :
Specify end connections when ordering (FF/MF/MM)

DIMENSIONS (MM)

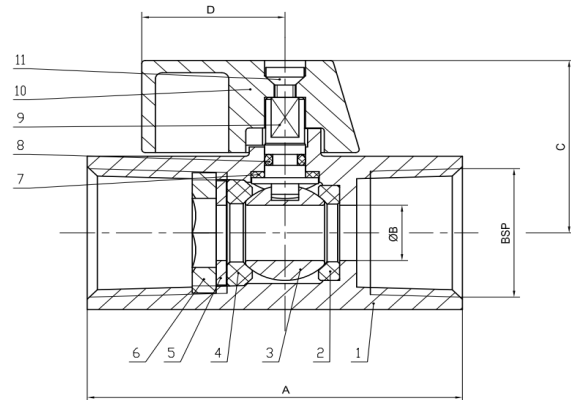
SIZE	B (bore)	A	C	D
1/4"	5	42	25	21
3/8"	7	45	27	21
1/2"	9.2	55	29	21
3/4"	12.5	57	33	22
1"	15	66	36	22



Figure No : VBL-MS1001
Size : ¼ " - 1" (Dn 8 – DN25)
Reduced bore BSP THREAD

MATERIAL LIST

Nr.	Description	Material
1	Body	A351 CF8M
2	Seat Ring	PTFE
3	Ball	AISI 316
4	Seat	PTFE
5	Gasket	SS 316
6	Nut	AISI 316
7	Thrust Washer	PTFE
8	O Ring	Viton
9	Stem	F 316
10	Lever	Aluminium
11	Bolt	AISI 304



Details are current at time of publication and could vary with manufacturing enhancements subject to change without notice.