



VALVE AND FLOW CONTROL SPECIALISTS
SERVICE AND RELIABILITY

STAINLESS STEEL 1 PIECE BALL VALVE BSP or NPT ENDS

Figure No VBL-S1001

1 - PC SCREWED BODY STAINLESS STEEL BALL VALVES. REDUCED PORT. 1000 WOG

A compact general purpose ball valve for isolation duty on water, gas, chemicals where stainless components are compatible with media offering long lasting chemical corrosion resistance.

Thread End : BSP, Option NPT also from stock
Materials : ASTM A351-CF8M (DIN 1.4408) Stainless Steel



- * High quality investment casting.
- * Pressure rating : 1000 PSI CWP Max Temp 180 deg.C
- * Locking device is now standard lever
- * Blow-out proof stem S/S 316, adjustable stem packing.
- * 100% test air-under water at 100 PSI (6 Bars) open & close position.

OPTIONS :

Oval handle, Butterfly handle. PTFE (virgin) seating

DIMENSIONS (MM)

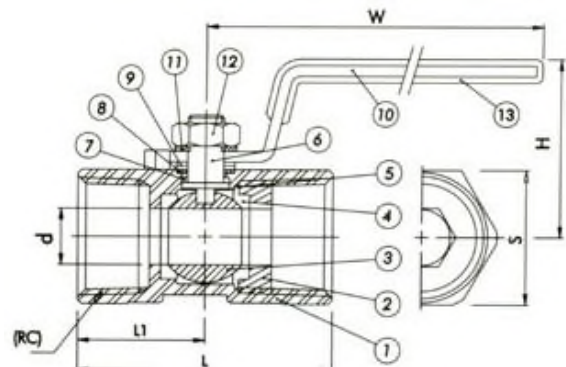
SIZE	D (bore)	L	L1	H	S	W	Cv	WT/KG	Torque
1/4"	5	39	19	35	17	66	3.8	0.07	12
3/8"	7	48	21	36	21	74	4.0	0.10	12
1/2"	9.2	55	28	41	25	89	4.5	0.17	13
3/4"	12.5	59	30	44	32	89	9.0	0.25	20
1"	16	71	36	51	38	105	16.0	0.42	38
1 1/4"	20	75	39	56	48	105	24.0	0.67	50
1 1/2"	24.5	83	42	64	53	130	37.0	0.84	72
2"	32	100	50	71	65	130	68.0	1.39	90

Figure No : VBL-S1001 = BSP
VBL-S1001N = NPT
Size : 1/4" - 2" (Dn 8 – DN50)
Reduced bore

Torque in kgf-cm

MATERIAL LIST

Nr.	Description	Material
1	Body	A351 CF8M
2	BodyCap	A351 CF8M
3	Ball	AISI 316
4	Seat	RTFE
5	Body Seal	PTFE
6	Stem	AISI 316
7	Thrust Washer	PTFE
8	Packing	PTFE
9	Gland Nut	AISI 304
10	Lever	AISI 304
11/12	Nut & Washer	AISI 304
13	Plastic cover	Plastic
14	Locking device	AISI 304



Details are current at time of publication and could vary with manufacturing enhancements.