



**VALVE AND FLOW CONTROL SPECIALISTS**  
*SERVICE AND RELIABILITY*

**STAINLESS STEEL 2 PIECE BALL VALVE THREADED BSP or NPT**

**Figure No VBL-S1002**

**2 - PC SCREWED BODY STAINLESS STEEL BALL VALVES. FULL PORT. 1000 WOG**

**Thread End :** BSPT, NPT,

**Materials :** ASTM A351-CF8M (DIN 1.4408) Stainless Steel

- \* High quality investment casting body and cap.
- \* Pressure rating : 1000 PSI CWP Max Temp 180 deg. C
- \* Locking device is now standard on lever
- \* Blow-out proof stem S/S 316, adjustable stem packing.
- \* 100% test air-under water at 100 PSI (6 Bars) open & close position.

**OPTIONS :**

Oval handle, Butterfly handle. PTFE (virgin) seating

**DIMENSIONS (MM)**

SIZE	A	L	L1	H	E	W1	W2	H	WT/KG	Torque
1/4"	11.6	45	23	50	96	12.5	25.0	10-24 UNC	0.18	45
3/8"	12.7	45	23	50	96	12.5	25.0	10-24 UNC	0.19	45
1/2"	15	58	29	53	96	12.5	25.0	10-24 UNC	0.20	60
3/4"	20	60	33	60	110	21.0	34.0	10-24 UNC	0.32	80
1"	25	70	38	70	135	22.5	33.5	1/4-20 UNC	0.36	110
1 1/4"	32	75	44	79	135	23.5	38.1	1/4-20 UNC	0.60	140
1 1/2"	38	84	56	91	165	23.5	38.1	1/4-20 UNC	0.80	190
2"	50	118	62	99	165	23.5	38.1	1/4-20 UNC	1.90	260
2 1/2"	65	140	84	131	215	35.0	56.0	1/4-20 UNC	3.90	460
3"	80	168	91.5	143	215	35.0	56.0	1/4-20 UNC	6.10	920
4"	100	200							10.50	

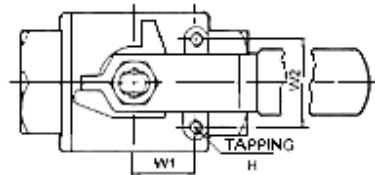
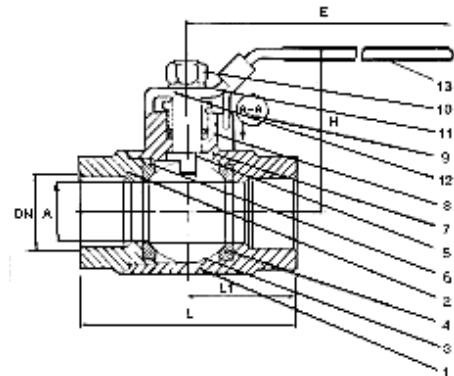


Figure No : VBL-S1002 = BSP  
VBL-S1002N = NPT  
SIZE : 1/4"-4"  
FULL BORE

**Torque in kgf-cm**

**MATERIAL LIST**

Nr.	Description	316
1	Body	A351 CF8M
2	BodyCap	A351 CF8M
3	Ball	AISI 316
4	Seat	RTFE
5	Stem	AISI 316
6	Body Seal	PTFE
7	Thrust Washer	PTFE
8	Packing	PTFE
9	Gland Nut	AISI 304
10/11	Nut & Wash.	AISI 304
12	Handle	AISI 304
13	Plastic cover	Plastic
14	Locking device	AISI 304



Details are current at time of publication and could vary with manufacturing enhancements.