



**VALVE AND FLOW CONTROL SPECIALISTS**  
*SERVICE AND RELIABILITY*

**STAINLESS STEEL 3 PIECE BALL VALVE**  
**FIGURE NO. VBL-S1003**

**3 - PC BALL VALVES. FULL PORT. 1000 WOG**

**End Type :** Threaded end. Socket weld end. Butt-weld end

**Materials :** ASTM A351-CF8M (DIN 1.4408) Stainless Steel

- \* High quality investment casting body caps.
- \* Bolted / in line easy maintenance
- \* Pressure temperature rating : 1000 PSI (PN 63) / 180 deg.C
- \* 15% reinforced glass fibrous Teflon seats, in-line repairable.
- \* Blow-out proof stem S/S 316, adjustable stem packing.
- \* 100% Tested air-under water at 100psi
- \* (6 Bars) open & close position

**OPTIONS :**

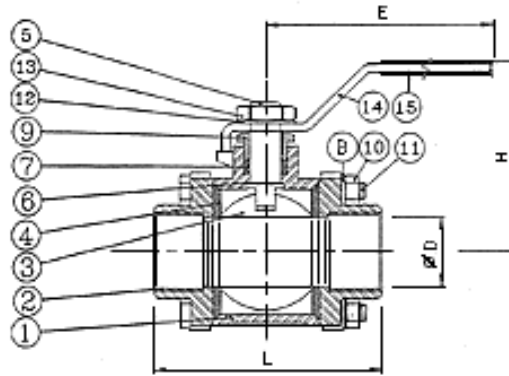
- \* Padlocking Handle. Pneumatic Actuator or Electric Actuator.
- \* Mounting Bracket & Extension Shaft.



MODEL NO : VBL-S1003  
SIZE : 1/4"-4" FULL BORE  
THREADED END : BSPT.or NPT.

**MATERIAL LIST**

NO.	PART NAME	MATERIAL	Q'TY
1	BODY	CF8M & CF8 (WCB)	1
2	CAP	CF8M & CF8 (WCB)	2
3	BALL	AISI 316	1
4	SEAT	RENFORCE PTFE	2
5	STEM	AISI 316	1
6	THRUST PACKING	TEFLON	1
7	STEM PACKING	TEFLON	3
8	LOCK WASHER	AISI 304	4
9	GLAND NUT	AISI 304	4
10	BONNET	AISI 304	4
11	HEX.NUT	AISI 304	1
12	LOCK WASHER	AISI 304	1
13	STEM NUT	AISI 304	1
14	HANDLE	AISI 304	1
15	PLASTIC COVER	PLASTIC	1



For Continuous service temperatures above 180 Deg C refer VBL-S1003TFM (260 Deg C)

**DIMENSIONS (MM)**

SIZE	∅D ±0.5	L ±1.0	H ±3.0	E ± 3.0	WT/KG	INCH/LBS
1/4"	11.6	57	50.5	100	0.50	30
3/8"	13	57	50.5	100	0.50	30
1/2"	16	65.5	60	130	0.60	36
3/4"	20.6	76.2	64	130	0.90	54
1"	25.4	86	71	165	1.00	64
1 1/4"	32	102.8	78	165	2.00	132
1 1/2"	38	119	86	190	2.30	156
2"	50.8	131.3	95	190	5.00	192
2 1/2"	65	164.5	130	250	7.00	250
3"	80	182.5	149	250	9.00	400
4"	100	236	184	280	16.00	720

2012 Uncontrolled document subject to change without notice.