



Scotch Yoke Pneumatic Rotary Actuator

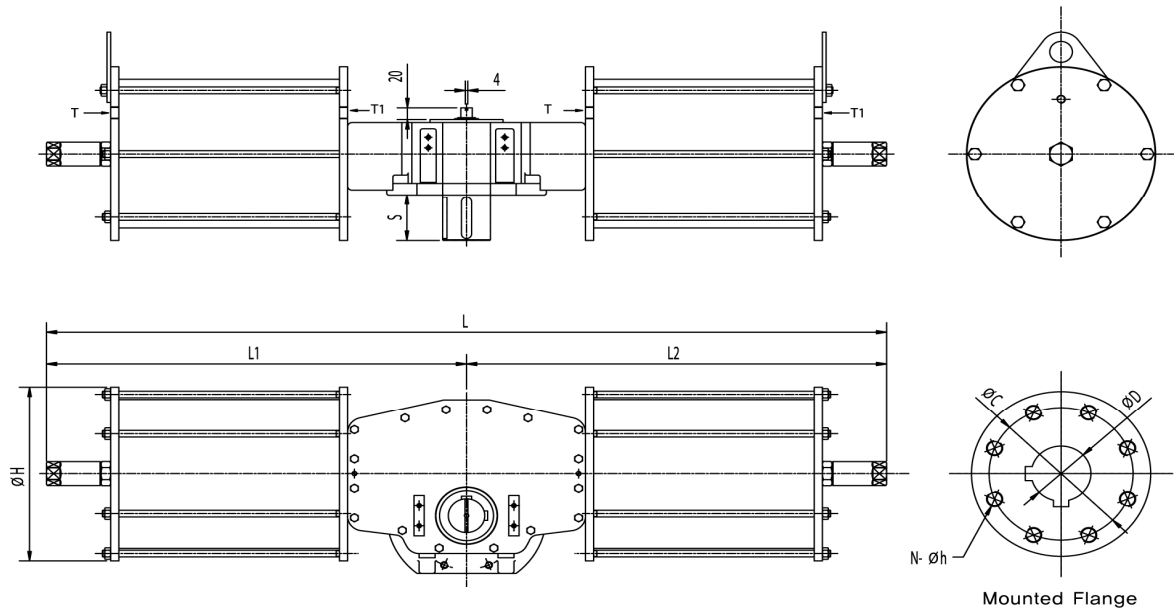
HEAVY DUTY - DOUBLE ACTING

ROTARY ACTUATOR / DOUBLE ACTING

● Torque Table (N-m)

Model	Angle	4Bar	5Bar	6Bar
AD250D	0°	4,200	5,200	6,300
	45°	3,100	3,800	4,600
	90°	4,200	5,200	6,300
AD300D	0°	7,600	9,500	11,000
	45°	6,500	8,000	9,700
	90°	7,600	9,500	11,000
AD400D	0°	10,780	12,597	15,117
	45°	7,126	8,908	10,689
	90°	9,574	11,967	14,361
AD500D	0°	18,966	23,708	28,449
	45°	13,411	16,764	20,117
	90°	18,018	22,522	27,027

● Dimension



Model	ØH	L1	L2	L	ØD	S	N-m	KEY	T	P.C.D- ØC
AD250D	280	445	445	890	Ø55	60	4-M20	16 x 20	PT 3/8"	165
AD300D	370	725	725	1450	Ø70	60	8-M16	20 x 12	PT 3/8"	254
AD400D	460	800	800	1600	Ø90	-	8-M20	25 x 14	PT 3/4"	298
AD500D	560	1080	1080	2160	Ø120	-	8-M30	32 x 18	PT 3/4"	356



Scotch Yoke Pneumatic Rotary Actuator

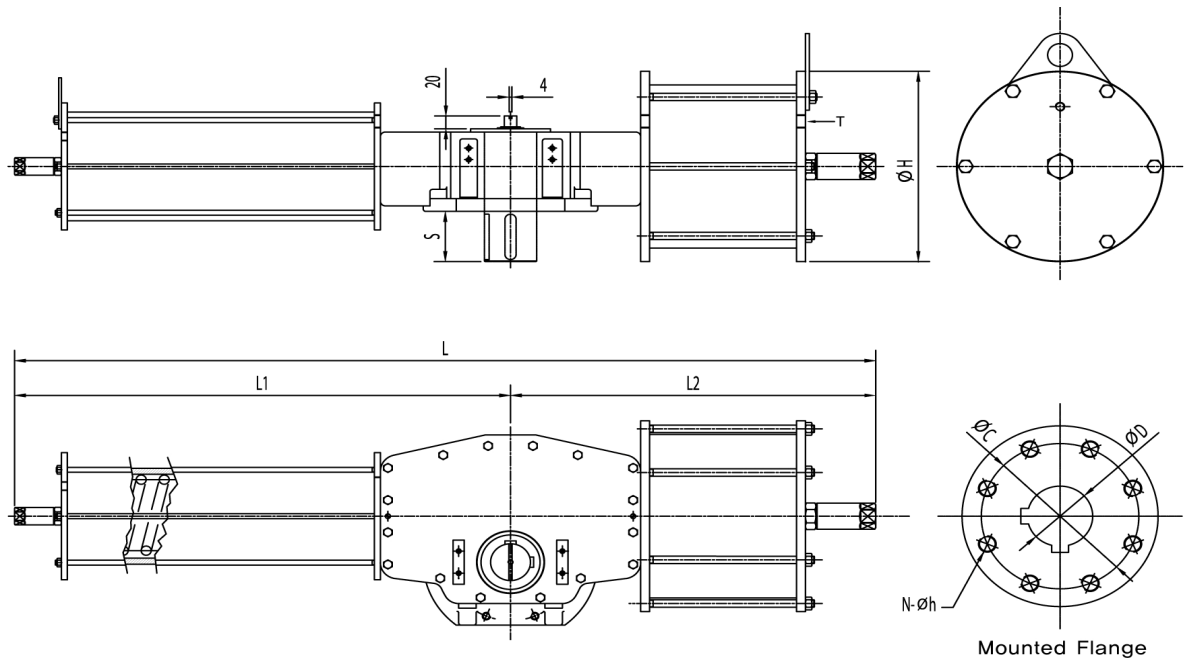
HEAVY DUTY - SINGLE ACTING

ROTARY ACTUATOR / DOUBLE ACTING

● Torque Table (N-m)

Model	Angle	4.5Bar	5Bar	6Bar	Spring
AS250D	0°	1,620	2,023	2,827	2,000
	45°	1,106	1,509	2,313	2,514
	90°	578	981	1,785	3,042
AS300D	0°	2,873	3,591	5,028	3,591
	45°	1,976	2,694	4,131	4,488
	90°	1,030	1,751	3,188	5,413
AS400D	0°	5,605	7,015	9,817	7,025
	45°	4,630	6,040	8,842	8,000
	90°	2,020	3,430	6,232	10,610

● Dimension



Model	ØH	L1	L2	L	ØD	S	N-m	KEY	T	P.C.D- Ø
AS250D	280	770	770	1540	Ø55	60	4-M20	16 x 20	PT 3/8"	165
AS300D	370	1100	725	1825	Ø70	60	8-M16	20 x 12	PT 3/8"	254
AS400D	460	1200	800	2000	Ø90	-	8-M20	25 x 14	PT 3/4"	298