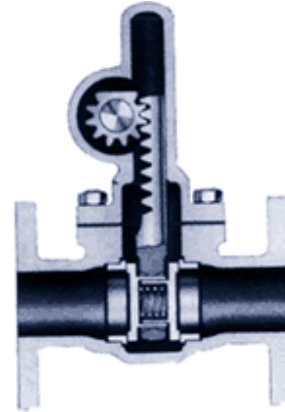
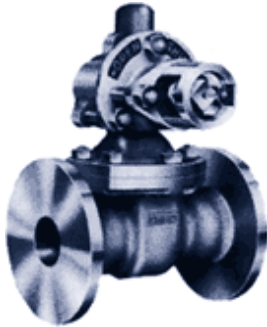




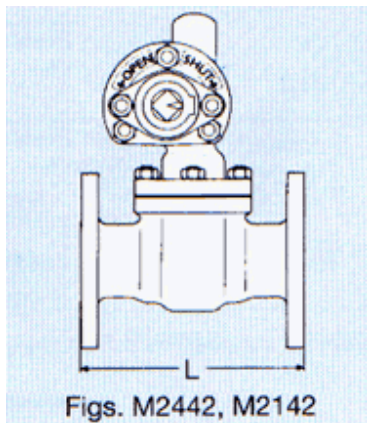
VALVE AND FLOW CONTROL SPECIALISTS
SERVICE AND RELIABILITY

QA-Blow-Down Valves
Rack and Pinion Type

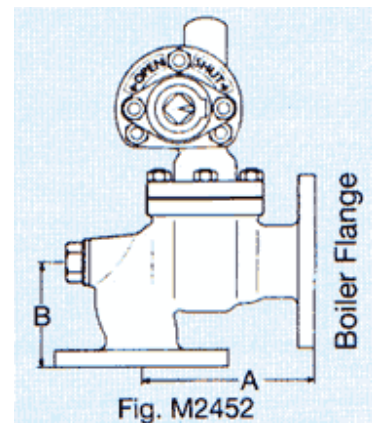


Ratings

Figure Numbers	Body & Cover	Standard* Flanges B.S.4504	Allowable Saturated Steam Pressure	
			Bar	lbf/in ²
M2442 M2452	Bronze	PN25	19.2	279
M2142	Steel	PN40	25.4	368



LOCKING GLAND
In compliance with B.S. 759 and the Factories Act the gland has a locking guard which prevents removal of the box-key unless the valve is closed.



Nominal Size	Dia. of Flanges			L				Fig. M2452			
				Fig. M2442		Fig. M2142		A		B	
40	1 1/2	150	5 7/8	184	7 1/4	210	8 1/4	146	5 3/4	89	3 1/2
50	2	165	6 1/2	216	8 1/4	229	9	165	6 1/2	102	4