



VALVE AND FLOW CONTROL SPECIALISTS
SERVICE AND RELIABILITY

STAINLESS NEEDLE VALVE METAL SEAT

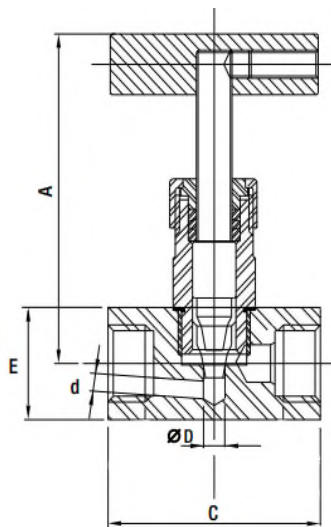
FIGURE NO. VNE3T-316



316 SS NEEDLE VALVE, BARSTOCK METAL SEATED

- * **THREADED END** : BSPT, NPT, Socket Weld
- * **Stem Packing** : Standard PTFE option Graphoil
- * **SIZE RANGE** : 25nb to 50nb (1" to 2")
- * **Materials:** ASTM A351-CF8M (316) Stainless Steel

- ***Max Intermittent Temperature : 180 Deg C (PTFE Packed)**
- ***Max Cold Working Pressure : 3000psi (206 Bar)**
- ***A general purpose needle valve, metal seated for regulating service on chemicals gas, oil and air.**
- Always install needle valve in direction of arrow – flow.**
- For valves below 1" refer DK-Lok V16 and V46A**
- Valves 1" and above for 6000 psi refer VNE6T-316**



- Figure Number Build ups
End connections
VNE3T-316-NPT
VNE3T-3160-BSP (PP) -BSPT (taper ISO)
VNE3T-316-SWP (pipe) -SWT (tube)

For optional Graphoil Packing replace 3T with 3G

- Material selection
304 Stainless replace 316 with 304
Carbon Steel replace 316 with 105
Monel replace 316 with 400
Inconel replace 316 with 625
Incoloy replace 316 with 600
Titanium replace 316 with T2
Super Duplex replace 316 with 2507
Others on request

Note for those wishing to use DK-Lok Twin ferrule ends for ease of installation / maintenance use the DMC connectors from DK-Lok

DIMENSIONS

SIZE		C	E	d	A
MM	IN				Open
25	1"	75	34	8	92
32	1-1/4"	85	40	8	100
40	1-1/2"	90	54	10	120
50	2"	110	62	12	130

Uncontrolled document subject to change without notice

VICTORIA NEW SOUTH WALES QUEENSLAND NORTHERN TERRITORY
VALVE AND FLOW CONTROL SPECIALISTS
E-mail sales@valveandflowcontrolspecialists.com