



VALVE AND FLOW CONTROL SPECIALISTS
SERVICE AND RELIABILITY

Bronze Body Flanged Ball Valve

FIGURE NO. VBL-BS16F

2 Piece Full bore PN 16

End Type : Flanged PN16

Materials : ASTM B62 Bronze Body 316 SS trim

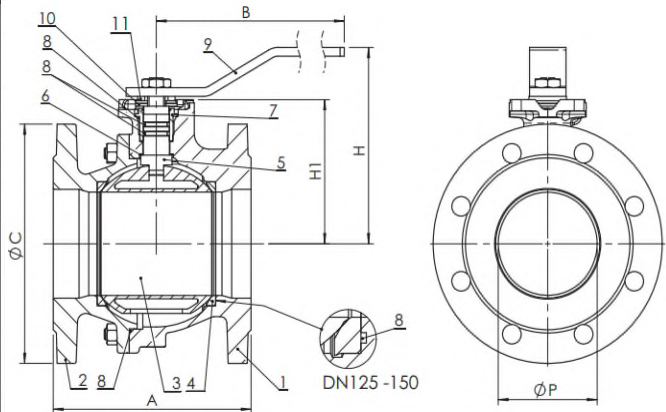
Size Range: ½" to 10" (15nb to 250nb)



- * ISO 5211 topworks
- * F-F manufacturers standard DIN F4/F5
- * Temperature -10 to 150 Deg C
- * Viton Stem seals.
- * PTFE seats.
- * Test to API 598
- * **CWP 16 Bar (232 psi).**

OPTIONS : Aluminium Bronze body Can be drilled as required (stock undrilled)
Pneumatic or electric actuation

Material Specifications		
1.	Body	Bronze
2.	Flange	Bronze
3.	Ball	AISI 316 Stainless Steel
4.	Ball Seat	RPTFE
5.	Stem	AISI 316 Stainless Steel
6.	Sliding Washer	PTFE
7.	Ring	AISI 316 Stainless Steel
8.	O-ring	Viton
9.	Lever	Epoxy Coated Carbon Steel
10.	Stop Plate	AISI 316 Stainless Steel
11.	Spring Washer	AISI 316 Stainless Steel
12.	Lever Hub	Brass
13.	Lever Stop	AISI 316 Stainless Steel
14.	Anti-blow-out Ring	AISI 302 Stainless Steel
15.	Mounting Pad	Aluminium Bronze
17.	Bolts	AISI 302 Stainless Steel



Dimensions									
DN	P	A	H	H1	B	C	ISO	C1	V
½"	15	115	84	50.5	160	95	F04	-	-
¾"	20	120	84	52	160	105	F04	-	-
1"	25	125	96	59	170	115	F04	-	-
1¼"	32	130	101	64	170	140	F04	-	-
1½"	40	140	125	78.5	230	150	F05	-	-
2"	50	150	135	87	230	165	F05	-	-
2½"	63	170	143	95	230	185	F05	-	-
3"	76	180	165	118	280	200	F07	-	-
4"	95	190	180	132.5	360	220	F07	-	-
5"	120	200	225	165	450	250	F10	-	-
6"	145	210	243	182.5	560	285	F10	-	-
8"	190	400	320	230	1000	340	F12	-	-
10"	240	450	-	355	101	405	F12	490	500

Catalogue drawings are general arrangement only and could be subject to revision. If details are critical refer VCS for certified drawings at time of order.

BRISBANE SYDNEY MELBOURNE DARWIN
VALVE AND FLOW CONTROL SPECIALISTS

E-mail sales@valveandflowcontrolspecialists.com