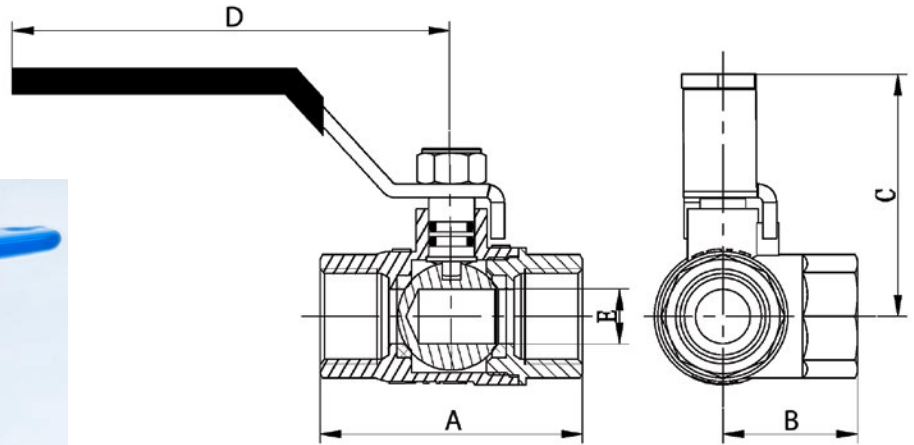




VALVE AND FLOW CONTROL SPECIALISTS
SERVICE AND RELIABILITY

ΌΥΑΕΥÙÁÁΥ ΟΕΥΆΣΕΪΥ ÜVÁÙÒÖÒÁÒΠ VÜYÁÓΟΕŠŠÁΧΟΕŠΧÒÁÚΠ FÍ



DUhBc™	DN SIZE (mm)	A (mm)	B (mm)	C (mm)	D (mm)	E (mm)	K 9≠ <H
ÓŠĚHÓŠFÍ ÓĚĚFÍ	15	57.5	29.5	54.2	95	12	0.27
ÓŠĚHÓŠFÍ ÓĚĚGE	20	67	33.5	57.6	95	16	0.39
ÓŠĚHÓŠFÍ ÓĚĚGÍ	25	76	39	60.6	126	20	0.6
ÓŠĚHÓŠFÍ ÓĚĚHG	32	88	46.5	75.8	140	25	1.02
ÓŠĚHÓŠFÍ ÓĚĚI €	40	96	51.4	80	140	32	1.32
ÓŠĚHÓŠFÍ ÓĚĚI €	50	109	58.5	85	165	37	2

MATERIALS	
Body	NPBrass
Bonnet	NP Brass
Seal	PTFE
Ball	CP Brass
O Ring	Viton/NBR
Stem	Brass
Handle	Stainless Steel
Nut	NP Brass

STANDARD
Thread
BSP to ISO 7-1

SPECIFICATIONS
Max Working Temperature
120°C
Cold Working Pressure
1600 kPa

2022 Uncontrolled copy subject to change without notice.

Valve & Flow Control Specialists Pty Ltd. sales@valveandflowcontrolspecialists.com