



VALVE AND FLOW CONTROL SPECIALISTS
SERVICE AND RELIABILITY

STAINLESS STEEL 3 PIECE BALL VALVE BSP METAL SEATED

Figure No VBL-S1003M

3 - PC SCREWED BODY STAINLESS STEEL BALL VALVES. FULL PORT. 1000 WOG

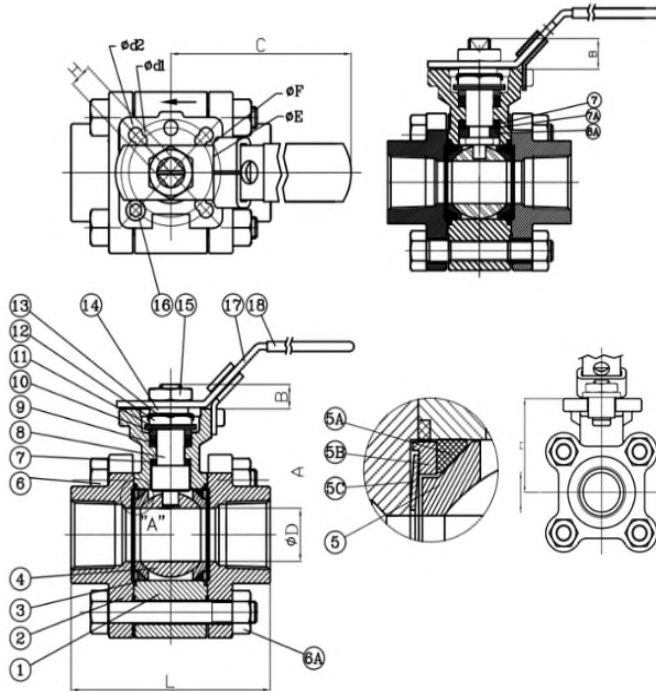
Thread End : BSP,
Materials : ASTM A351-CF8M (DIN 1.4408) Stainless Steel
 Stellited 316 Stainless Steel seats



- * Iso mounting pad for actuation.
- * Pressure rating : 1000 PSI CWP Max Temp 454 deg. C
- * Locking device is now standard on lever
- * Through body bolting for integrity.
- * leakage rate Class V.

OPTIONS :

Stem Extension for Actuation or lever op on High Temperature Services



- This is a uni directional valve with ball vent hole upstream

Number	Part	Material
1	Body	CF8M
2	End Cap	CF8M
3	Body Gasket	Graphite
4	Ball	Stellite
5A	Ball Seats	Stellited 316SS
5B	Seat Back Seal	Graphite
5C	Seat Housing	316SS
6	Spring Disk	Inconel
6A	Bolts	304SS
7	Nut	304SS
7A	Thrust Seal	Graphite
8	Thrust Washer	316SS
8A	Stem	17-4

Number	Part	Material
9	Half Split Ring	316SS
10	Stem Packing	Graphite
11	Gland Washer	304SS
12	Stem Nut	301SS
13	Nut Stop	304SS
14	Space Washer	304SS
15	Handle Nut	304SS
16	Stop Pin	304SS
17	Handle	304SS
18	Handle Cover	Plastisol
19	Set Bolt	304SS
20	Lever Head	CF8
21	Lever	Steel Pipe

Size	A	B	C	D	d1	d2	E	F	H	L
1/4"	48	9.5	130	11	6	6	36	42	9	70
3/8"	48	9.5	130	12.5	6	6	36	42	9	70
1/2"	48	9.5	130	15	6	6	36	42	9	70
3/4"	53	12	155	20	6	6	42	50	11	92
1"	59	12	155	25	6	7	42	50	11	105
1 1/4"	62	14	205	32	7	9.2	50	70	14	111
1 1/2"	70	14	205	38	7	9.2	50	70	14	124
2"	90	19	300	50	9.2	11.4	70	102	17	150

Flanged version also available
 Details are current at time of publication and could vary with manufacturing enhancements.

VALVE AND FLOW CONTROL SPECIALISTS
 Brisbane Sydney Melbourne Perth Darwin
 E-mail sales@valveandflowcontrolspecialists.com