



VALVE AND FLOW CONTROL SPECIALISTS
SERVICE AND RELIABILITY

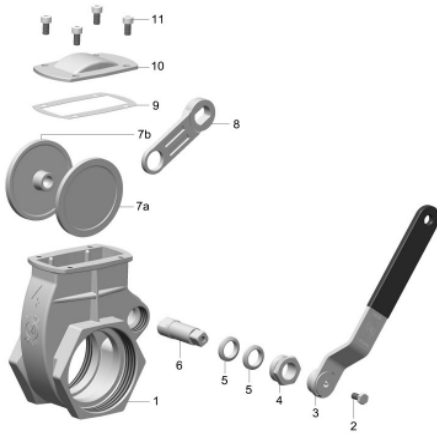
Brass Quick Acting Gate Valve
Lever operated metal seated

FIGURE NO. VGA-B6QA

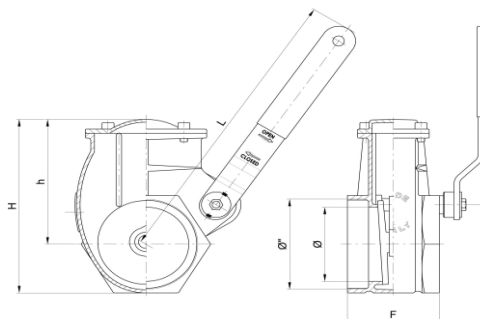
End Type: BSP Parallel
Material: Brass



- Pressure: 90 psi (6 bar) CWP
 Temperature: -15c to 80c
- Size range 3", 4" and 6"
- Screwed cap for maintenance
- Handle is zinc plated steel
- Gate valve design gives full flow
- Discs rotate to minimize wear
- Metal to metal seating
- Ideal for irrigation or water tanker shut off / deluge.
- For smaller sizes refer VCS Fig VGA-B28QA .



POS.	DENOMINATION	MATERIAL
1	BODY Ø"... GAS	UNI EN 1982 BRASS
1	BODY Ø"... NPT	UNI EN 1982 BRASS
2	SCREW TE M6x12 (2"- 2"1/2)	ZINC-PLATED STEEL
2	SCREW TE M8x16 (3"- 4"- 6")	ZINC-PLATED STEEL
3	HANDLE 2"- 2"1/2	UNI EN 1982 BRASS
3	HANDLE 3"	ZINC-PLATED STEEL
3	HANDLE 4"	ZINC-PLATED STEEL
3	HANDLE 6"	ZINC-PLATED STEEL
4	NUT 3/4" (2"- 2"1/2)	UNI EN 12164 BRASS
4	NUT M30x2 (3")	UNI EN 12164 BRASS
4	NUT Ø35 f19 (4"- 6")	UNI EN 12164 BRASS
5	GASKET Ø23 x 16 x 7 (2"- 2"1/2)	POLYMER
5	GASKET Ø27 x 20 x 8 (3")	POLYMER
5	GASKET Ø32 x 22,5 x 8 (4"- 6")	POLYMER
6	PIN 2" - 2"1/2	UNI EN 12164 BRASS
6	PIN 3"	UNI EN 12164 BRASS
6	PIN 4"	UNI EN 12164 BRASS
6	PIN 6"	AISI 306 STAINLESS STEEL
7a	MALE DISC Ø...	UNI EN 12165 BRASS
7b	FEMALE DISC Ø...	UNI EN 12165 BRASS
8	INNER LEVER Ø...	UNI EN 12165 BRASS
9	GASKET Ø...	GUAMOTOR
10	HEAD Ø...	UNI EN 12165 BRASS
10	HEAD 6"	UNI EN 1982 BRASS
11	SCREW TCEI M6x12 (2"- 2"1/2)	ZINC-PLATED STEEL
11	SCREW TCEI M8x16 (3"- 4"- 6")	AISI 304 STAINLESS STEEL



Ø"	2"	2"1/2	3"	4"	6"
Ø	48	63	75	93	145
H	117	147	170	218	320
h	81	104	121	157	232
L	228	237	270	340	444
F	80	86	90	100	102
gr ~	1.950	2.450	3.800	6.300	10.650