



VALVE AND FLOW CONTROL SPECIALISTS
SERVICE AND RELIABILITY

STAINLESS STEEL 2 PIECE BALL VALVE THREADED NPT

Figure No VBL-S2002

2 - PC SCREWED BODY STAINLESS STEEL BALL VALVES. FULL PORT. 2000 WOG

Thread End : NPT,

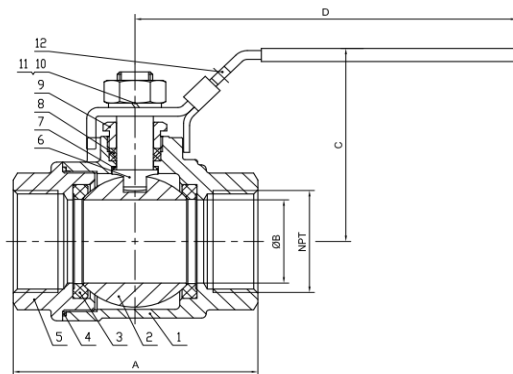
Materials : ASTM A351-CF8M (DIN 1.4408) Stainless Steel



- * High quality investment casting body and cap.
- * Pressure rating : 2000 PSI CWP Max Temp 180 deg. C
- * Locking device is now standard on lever
- * Blow-out proof stem S/S 316, adjustable stem packing.
- * 100% test air-under water at 100 PSI (6 Bars) open & close position.

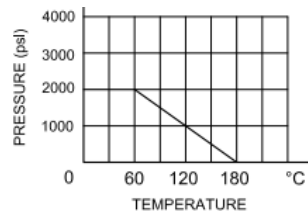
DIMENSIONS (MM)

NPS	DN	A	B	NPT	C	D
1/4"	8	55	11	1/4"	48	95
3/8"	10	55	11,5	3/8"	48	95
1/2"	15	63	15	1/2"	54	105
3/4"	20	73	19,5	3/4"	65	130
1"	25	84	25	1"	71	140
1 1/4"	32	98	32	1 1/4"	81	140
1 1/2"	40	106	38	1 1/2"	94	170
2"	50	121	49,5	2"	105	185



MATERIAL LIST

Nr.	VCS Description	316
1	Body	A351 CF8M
2	Ball	A351 CF8M
3	Seat	PTFE
4	Gasket	PTFE
5	End Cap	A351 CF8M
6	Stem	316
7	Thrust Washer	PTFE
8	Packing	PTFE
9	Gland Nut	AISI 304
10	Spring Washer	AISI 304
11	Nut	ASTM A194B
12	Lever / locking device	SS 201



Other options in this 2 piece style
Figure No : VBL-S1002 = 1000psi
VBL-S3003 = 3000psi

Details are current at time of publication and could vary with manufacturing enhancements.