



**VALVE AND FLOW CONTROL SPECIALISTS**  
*SERVICE AND RELIABILITY*

**Bronze Space Saver Globe Valve PN16**  
**Bronze trim STOP CHECK**

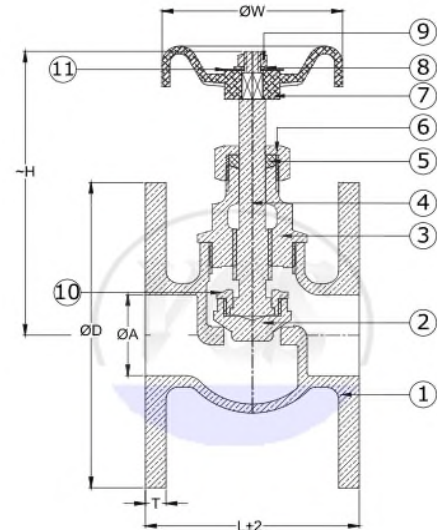
**FIGURE NO. VGL-B16SC**

**End Type:** Flanged F Undrilled  
**Material:** BRONZE

- PN 16 – 1600 kpa CWP
- This valve has the stop check feature. This stops any backflow from the downstream side contaminating upstream product.
- Standard threaded bonnet.
- Size range to 25nb to 50nb.



Material Specifications	
1. Body	BS:1400 LG2 Bronze
2. Seat	BS:1400 LG2 Bronze
3. Bonnet	BS:1400 LG2 Bronze
4. Stem	Brass
5. Packing	PTFE
6. Gland Nut	BS:1400 LG2 Bronze
7. Handwheel	Aluminium
8. Washer	Mild Steel
9. Nut	Mild Steel
10. Check Nut	BS:1400 LG2 Bronze



Pressure / Temperature Specifications	
Pressure	PN16
Temperature	-10°C to 180°C

Dimensions							
Size	A	D	T	L	H	W	Kg
1"	25	120.7	9.6	76	110	67	2.45
1½"	38	139.7	11.2	98	135	85	4.4
2"	50	165.1	11.2	110	157	85	6.17

Uncontrolled document subject to change without notice