



VALVE AND FLOW CONTROL SPECIALISTS
SERVICE AND RELIABILITY

Stainless Steel Pigtail Syphons

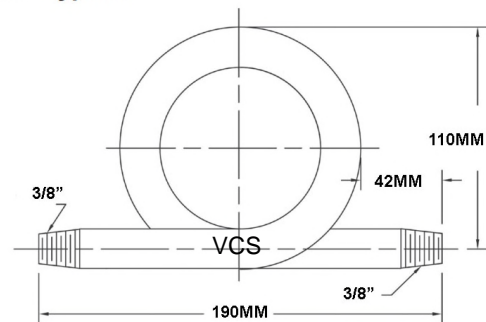
Figure PTS-QMM / PTS -SMF



VCS Pressure gauge syphons are used to protect the pressure gauge from the effects of hot pressure media such as steam and also to reduce the effect of rapid fluctuation pressure surges. The pressure medium forms a condensate and is collected inside the coil or pigtail portion of the syphon. The condensate prevents the hot media from coming in direct contact with the pressure gauge. When the syphon is first installed, it should be filled with water or other suitable separating liquid.

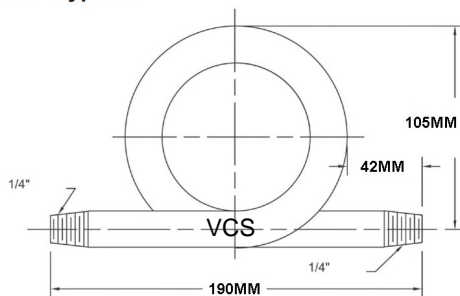
Size Range: 1/4", 3/8" and 1/2"
 Pipe threads to BSPP BSPT NPT
 Max 1650psi @332 Deg C NPT

3/8" Syphon

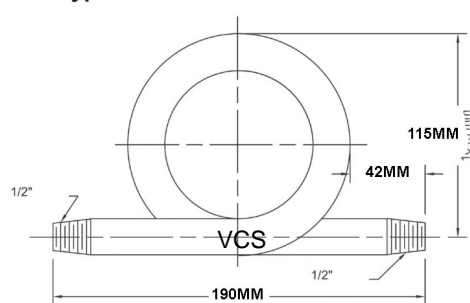


Also available in 304 and Monel.
 We recommend using gauge bleed valves in preference to ball valves on instrument isolation.

1/4" Syphon



1/2" Syphon



Uncontrolled VCS document subject to change without notice

Melbourne Sydney Brisbane Darwin Perth
VALVE AND FLOW CONTROL SPECIALISTS
 E-mail sales@valveandflowcontrolspecialists.com