



**VALVE AND FLOW CONTROL SPECIALISTS**  
*SERVICE AND RELIABILITY*

**Bellows Sealed Globe Valve PN 40 Cast Steel**

**FIGURE NO. BSV-C40F**

**Bolted Bonnet Non Rising Stem**

**End Type :** Flanged and drilled DIN40

**Materials :** Cast Steel WCB

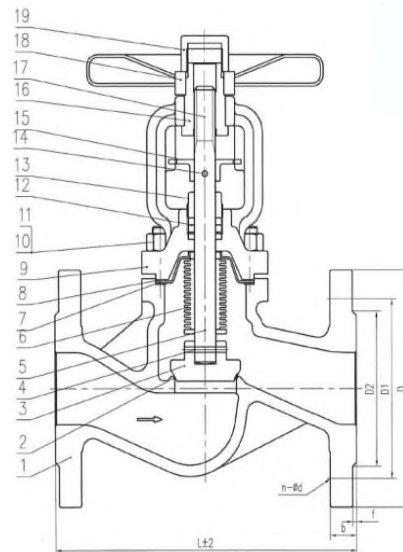
**Size Range:** ½" to 6" (15nb to 150nb)



- \* Maintenance Free Stop Valve
- \* Metal seated
- \* Zero Leakage Environmentally friendly
- \* Low operating torques
- \* Flange dimensions EN 1092
- \* Face to face EN558

These valves have been designed for use on steam, gas, liquid, condensate and water systems. The bellows give a long maintenance free life with low torques making their operation easy. The zero leakage to atmosphere saves operating costs and minimizes any potential environmental or workplace issues. Also from VCS ANSI 150 cast steel, PN16 cast iron and cast steel, PN25 Ductile Iron and forged steel API class 800 screwed and socket weld Bellows Valves.

NO.	PART NAME	MATERIAL
1	BODY	GS-C25
2	SEAT	GS-C25+13Cr
3	DISC	13Cr
4	PIN	SS304
5	STEM	2Cr13
6	BELLOWS	SS304
7	SEALING MEMBER	SS304
8	GASKET	SS304+GRAPHITE
9	BONNET	GS-C25
10	BOLT	A193 B7
11	NUT	A194 2H
12	PACKING	GRAPHITE
13	THREADED GLAND	A105
14	PIN	65Mn
15	LOCATOR	1025
16	STEM NUT	1045
17	OIL CAP	COPPER
18	HANDWHEEL	1025
19	CAP	A105



Catalogue drawings are general arrangement only and could be subject to revision. If details are critical refer VCS for certified drawings at time of order.

SIZE	L	D	D1	D2	b	f	n - ød
15	130	95	65	45	16	2	4-ø14
20	150	105	75	58	18	2	4-ø14
25	160	115	85	68	18	2	4-ø14
32	180	140	100	78	18	2	4-ø18
40	200	150	110	88	18	3	4-ø18
50	230	165	125	102	20	3	4-ø18

SIZE	L	D	D1	D2	b	f	n - ød
65	290	185	145	122	22	3	8-ø18
80	310	200	160	138	24	3	8-ø18
100	350	235	190	162	24	3	8-ø22
125	400	270	220	188	26	3	8-ø26
150	480	300	250	218	28	3	8-ø26