



VALVE AND FLOW CONTROL SPECIALISTS
SERVICE AND RELIABILITY

BUTTERFLY VALVE – General Purpose Lugged Body PN16

FIGURE NO. VB-Y-DL16SS

End Type: Lugged AS 2129 Table D / E or ANSI 150

Materials: Ductile iron Body, stainless trim
EPDM seat is standard

Size range: 50nb – 600mm

DesignStds: ISO 5752 face to face

ISO 5211 top flange

API 598 leakage test

Max Operating pressure 16 bar

Max Differential pressure 16 bar

Max temp. -20 Deg C – 85 Deg C

WSAA certified and Watermark Standard

Features: Drip tight in both directions

Shaft bearings prevents shaft deflection

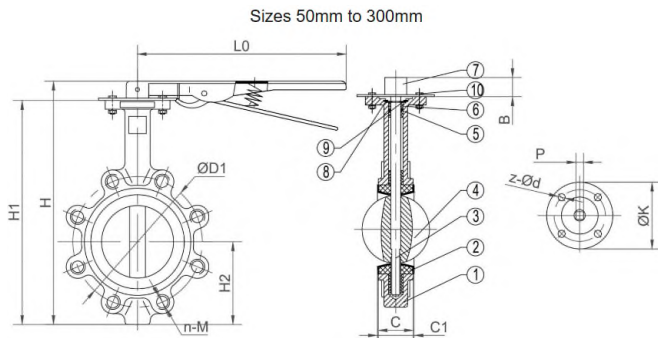
Slim low profile disc

Low torques due to bearings and machining.

Options: Stainless steel and cast steel body

Actuation is lever op standard, worm gear op,

Pneumatic or electric versions.



Size (mm)	Pressure Range	Temperature	Square drive size	ISO Mtg	Torque (Nm)
50	Vacuum to 16 Bar	-20°C to 90°C (40°C Potable)	9mm	F05	12.5
65	Vacuum to 16 Bar	-20°C to 90°C (40°C Potable)	9mm	F05	16.5
80	Vacuum to 16 Bar	-20°C to 90°C (40°C Potable)	9mm	F05	24
100	Vacuum to 16 Bar	-20°C to 90°C (40°C Potable)	11mm	F07	41
125	Vacuum to 16 Bar	-20°C to 90°C (40°C Potable)	14mm	F07	56
150	Vacuum to 16 Bar	-20°C to 90°C (40°C Potable)	14mm	F07	90
200	Vacuum to 16 Bar	-20°C to 90°C (40°C Potable)	17mm	F10	185
250	Vacuum to 16 Bar	-20°C to 90°C (40°C Potable)	22mm	F10	290
300	Vacuum to 16 Bar	-20°C to 90°C (40°C Potable)	22mm	F10	340
350	Vacuum to 10 Bar	-20°C to 90°C (40°C Potable)	22mm	F10	824
400	Vacuum to 10 Bar	-20°C to 90°C (40°C Potable)	22mm	F14	1073
450	Vacuum to 10 Bar	-20°C to 90°C (40°C Potable)	27mm	F14	1602
500	Vacuum to 10 Bar	-20°C to 90°C (40°C Potable)	38mm	F14	1953
600	Vacuum to 10 Bar	-20°C to 90°C (40°C Potable)	36mm	F16	3561

Size (DN)	H	H1	H2	C	C1	B	L0	P	AS4087 PN16		AS2129 Table E		ANSI 150		ØK	ISO pad
									D1	n-M	D1	n-M	D1	n-M		
50	255	225	70	42	46.1	30	262	9	114	4-M16	114	4-M16	120.5	4-5/8"	77	F05
65	275	245	77	44.7	49.1	30	262	9	127	4-M16	127	4-M16	139.5	4-5/8"	77	F05
80	291	261	87	45.2	18.4	30	262	9	146	4-M16	146	4-M16	152.5	4-5/8"	77	F05
100	335	305	112	52.1	55.3	30	262	11	178	4-M16	178	8-M16	190.5	8-5/8"	90	F07
125	362	332	128	54.4	58.8	30	262	14	210	8-M16	210	8-M16	216	8-3/4"	90	F07
150	391	361	143	55.8	59.1	30	262	14	235	8-M16	235	8-M20	241.5	8-3/4"	90	F07
200	463	423	173	60.6	64.1	40	348	17	292	8-M16	292	8-M20	298.5	8-3/4"	125	F10
250	539	499	210	65.6	71.8	40	510	22	356	8-M20	356	12-M20	362	12-7/8"	125	F10
300	618	578	244	76.9	81	40	510	22	406	12-M20	406	12-M24	432	12-7/8"	125	F10

C dimension relates to body thickness & C1 relates to seat thickness.

Gear op 350mm-600mm

NOTE:

Typically Elastomers have an operating life of 5 to 8 years at best. Rubbers like SBR or Natural rubber is 3 to 5 years whilst VITON is 15 to 20 years

Uncontrolled VCS document subject to change without notice.

VALVE AND FLOW CONTROL SPECIALISTS

sales@valveandflowcontrolspecialists.com