



**VALVE AND FLOW CONTROL SPECIALISTS**  
*SERVICE AND RELIABILITY*

**BUTTERFLY VALVE – General Purpose Wafer Body PN16**

FIGURE NO. VB-Y-DW16SS

**End Type:** Wafer AS 2129 Table D / E

**Materials:** Ductile iron Body, stainless trim  
EPDM seat is standard

**Size range:** 50nb – 600mm

**DesignStds:** ISO 5752 face to face

ISO 5211 top flange

API 598 leakage test

Max Operating pressure 16 bar

Max Differential pressure 16 bar

Max temp. -20 Deg C – 85 Deg C

WSAA certified and Watermark Standard

**Features:** Drip tight in both directions

Shaft bearings prevents shaft deflection

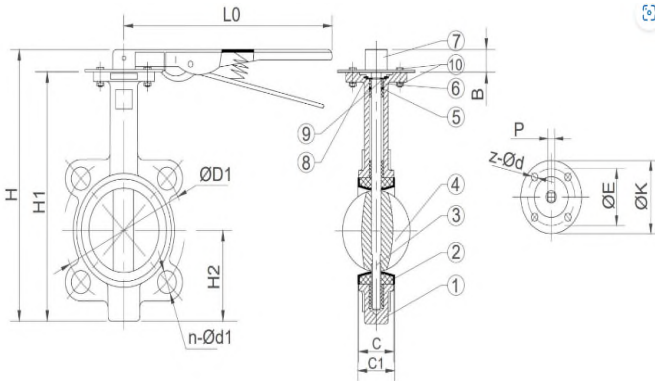
Slim low profile disc

Low torques due to bearings and machining.

**Options:** Stainless steel and cast steel body

Actuation is lever op standard, worm gear op,

Pneumatic or electric versions.



Size (mm)	Pressure Range	Temperature	Square drive size	ISO Mtg	Torque (Nm)
50	Vacuum to 16 Bar	-20°C to 90°C (40°C Potable)	9mm	F05	12.5
65	Vacuum to 16 Bar	-20°C to 90°C (40°C Potable)	9mm	F05	16.5
80	Vacuum to 16 Bar	-20°C to 90°C (40°C Potable)	9mm	F05	24
100	Vacuum to 16 Bar	-20°C to 90°C (40°C Potable)	11mm	F07	41
125	Vacuum to 16 Bar	-20°C to 90°C (40°C Potable)	14mm	F07	56
150	Vacuum to 16 Bar	-20°C to 90°C (40°C Potable)	14mm	F07	90
200	Vacuum to 16 Bar	-20°C to 90°C (40°C Potable)	17mm	F10	185
250	Vacuum to 16 Bar	-20°C to 90°C (40°C Potable)	22mm	F10	290
300	Vacuum to 16 Bar	-20°C to 90°C (40°C Potable)	22mm	F10	340
350	Vacuum to 10 Bar	-20°C to 90°C (40°C Potable)	22mm	F10	824
400	Vacuum to 10 Bar	-20°C to 90°C (40°C Potable)	22mm	F14	1073
450	Vacuum to 10 Bar	-20°C to 90°C (40°C Potable)	27mm	F14	1602
500	Vacuum to 10 Bar	-20°C to 90°C (40°C Potable)	38mm	F14	1953
600	Vacuum to 10 Bar	-20°C to 90°C (40°C Potable)	36mm	F16	3561

DN	H	H1	H2	B	C	C1	L0	P	Upper Flange					
									ISO5211	K	E	z-d	g	h
50	255	225	70	30	42	46.1	262	9	F05	77	50	4.7	35	3
65	275	245	77	30	44.7	49.1	262	9	F05	77	50	4.7	35	3
80	291	261	87	30	45.2	48.4	262	9	F05	77	50	4.7	35	3
100	335	305	112	30	52.1	55.3	262	11	F07	90	70	4.9	55	3
125	362	332	128	30	54.4	58.8	262	14	F07	90	70	4.9	55	3
150	391	361	143	30	55.8	59.1	262	14	F07	90	70	4.9	55	3
200	463	423	173	40	60.6	64.1	348	17	F10	125	102	4.12	70	3
250	539	499	210	40	65.6	71.8	510	22	F10	125	102	4.12	70	3
300	618	578	244	40	76.9	81	510	22	F10	125	102	4.12	70	3
350	-	635	267	45	76.5	79.5	N/A	22	F10	125	102	4.12	70	3
400	-	697	297	51.2	86.5	90	N/A	27	F14	175	140	4.18	100	4
450	-	737	315	51.2	105.6	109	N/A	27	F14	175	140	4.18	100	4
500	-	840	360	64.2	131.8	135	N/A	36	F14	175	140	4.18	100	4
600	-	1006	444	70.2	152	156	N/A	36	F16	210	165	4.23	130	5

All dimensions in mm unless shown otherwise. D1 and n-d1 depend upon your flange standard. These wafer butterfly valves fit all common flange standards.

**NOTE:**

Typically Elastomers have an operating life of 5 to 8 years at best. Rubbers like SBR or Natural rubber is 3 to 5 years whilst VITON is 15 to 20 years.

Uncontrolled VCS document subject to change without notice.

VALVE AND FLOW CONTROL SPECIALISTS  
sales@valveandflowcontrolspecialists.com