



VALVE AND FLOW CONTROL SPECIALISTS
SERVICE AND RELIABILITY

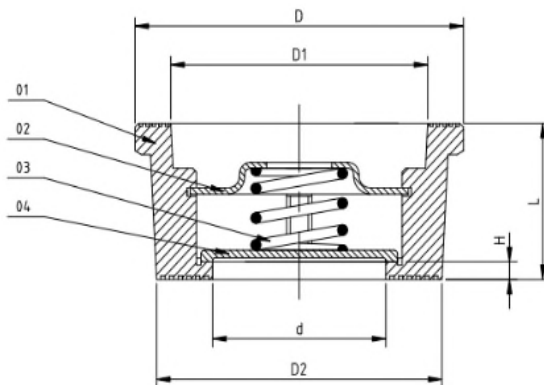
STAINLESS STEEL UNIVERSAL WAFER DISC CHECK VALVE

FIGURE NO. VDC-SU40

End Type : Wafer to suit AS 2129
ANSI 150 / 300
PN 6-10-16-25-40

Materials : ASTM A351-CF8M (AISI 316)

- * Operates under low pressures
- * *Face to Face DIN 558
- * Light weight and easy to install
- * VCS centring ring to ensure correct installation alignment.
- * Standard metal seat leak tested in accordance to API598
- * With soft seat option No leakage in accordance to DIN 3230 BN2.
- * Can be installed in horizontal or vertical position with flow up or down
- * Max Temp 220 Deg C.
- * Cracking pressures 23 to 27 Mbar



Note 316SS outer ring is used for centering / correct alignment during installation and can be removed.

DN	Size	d	D	D1	D2	L	H	kgs
15	1/2"	15	39	28.5	32	16	3	0.10
20	3/4"	20	46	36.2	40	19	3	0.14
25	1"	25	54	43.3	46	21	3	0.20
32	1-1/4"	32	70	56	60	27	3.5	0.36
40	1-1/2"	40	83	68.5	72	31	3.5	0.51
50	2"	49	96	80.5	84	40	4	0.78
65	2-1/2"	62	115	99	103	46	5	1.24
80	3"	75	135	117	123	50	5	1.92
100	4"	85	153	135	140	60	6	2.62

Uncontrolled VCS document subject to change without notice.

VALVE AND FLOW CONTROL SPECIALISTS
Melbourne Sydney Brisbane Darwin Perth
E-mail sales@valveandflowcontrolspecialists.com