



**VALVE AND FLOW CONTROL SPECIALISTS**  
*SERVICE AND RELIABILITY*

**3 WAY L / T PORT STAINLESS STEEL BALL VALVE**

**Figure No VBL-S153L (L port)**  
**VBL-S153T (T port)**

**3 WAY L PORT & T PORT FLANGED STAINLESS STEEL BALL VALVE**

**Size Range :** 15mm – 300mm  
**Flanged End :** ANSI 150 Ansi B16.5  
**Materials :** ASTM A351-CF8M (DIN 1.4408) Stainless Steel  
 ASTM A216-WCB (DIN 1.0619) Carbon Steel

- \* High quality investment casting.
- \* Pressure temperature 280 psi CWP Max temp 180 Deg C
- \* Solid ball type
- \* Blow-out proof stem S/S 316, adjustable stem packing.
- \* ANSI B16.34, F-F manufacturers standard
- \* ISO 5211 top mounting pad for ease of actuation optional
- \* Tested to API 598



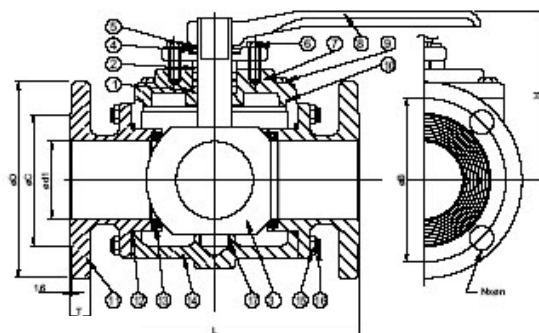
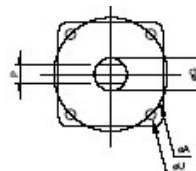
**OPTIONS :**

Electric or pneumatic actuators. Undrilled flanges VCS Metal seated  
**NOTE IF YOU ARE PIGGING THE PIPEWORK AND USING 3 WAY VALVES YOU WILL NEED TO USE THE VBL-S153PL or VBL-S153PT VERSION.**

Sizes from 12" through to 24" change pattern and are POA.

**FLOW PATTERN:**

PORT TYPE	1	2	3	4
L	1 2 3	1 2 3	1 2 3	1 2 3
T	1 2 3	1 2 3	1 2 3	1 2 3



**DIMENSIONS**

SIZE	øA	øB	øC	øD	øG	H	L	T	N	øn	øU	P	d1
1/2"	50	65	35	89	14	75	150	10	4	16	3/8	17	40
3/4"	50	70	43	98	14	80	160	11	4	19	3/8	17	50
1"	50	79.5	51	108	14	90	180	12	4	19	7/16	17	66
1 1/4"	50	89	64	117	17	100	200	13	4	19	7/16	17	76
1 1/2"	50	98.5	73	127	22	115	212	14.3	4	16	3/8	17	40
2"	70	120.5	92	152	22	122	220	15.9	4	19	3/8	17	50
2 1/2"	70	139.5	105	178	29.5	163	282	17.5	4	19	7/16	17	66
3"	102	152.5	127	190	29.5	175	285	19.1	4	19	7/16	17	76
4"	125	190.5	157	229	34	215	348	23.9	8	19	1/2	23	101
6"	125	241.5	216	279	45	256	425	25.4	8	22	1/2	35	151
8"	165	298.5	270	343	60	303	532	28.6	8	22	5/8	45	202
10"	165	362	324	406	60	330	700	30.2	12	25	5/8	45	250
12"	165	432	381	483	70	370	760	31.8	12	25	5/8	55	300

**MATERIALS LIST**

NO	PART NAME	MATERIAL
1	BODY	ASTM A351 GR.CF8M
4	BALL & STEM	ASTM A351 GR.CF8M
9	COVER	ASTM A351 GR.CF8M
9	FLANGED FOR VALVE	ASTM A351 GR.CF8M
11	JOINT GASKET	Graphite
11	GASKET	Graphite
12	BALL SEAT	PTFE+25% CARBON
14	STEM PACKING	Graphite
16	GLAND	ASTM A351 GR.CF8
18	SLEEVE	PTFE+25% CARBON
19	HANDLE	FCO
30	STOPPER WASHER	S.S.304
35	BOLT	S.S.304
37	NUT	S.S.304
41	C RETAINER RING	S45C
42	BOLT	S.S.304

Uncontrolled VCS document subject to change without notice.

Brisbane Sydney Melbourne Perth Darwin  
 VALVE AND FLOW CONTROL SPECIALISTS  
 E-mail sales@valveandflowcontrolspecialists.com