



VALVE AND FLOW CONTROL SPECIALISTS
SERVICE AND RELIABILITY

**STAINLESS STEEL 3 PIECE BALL VALVE
ISO 5211 Direct Mounting Actuator Pad.**

FIGURE NO. VBL-S1003M

3 - PC BALL VALVES. FULL PORT. 1000 WOG

End Type : Threaded end. BSPT

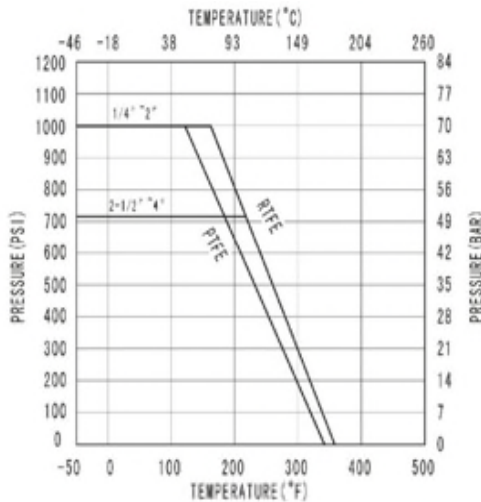
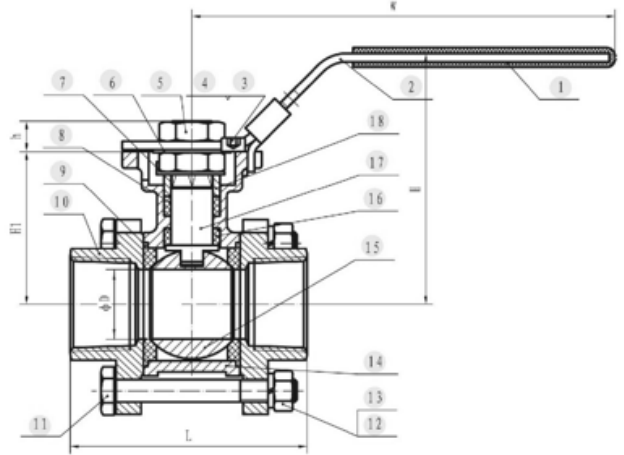
Materials : ASTM A351-CF8M (DIN 1.4408) Stainless Steel
ASTM A494 Hastelloy, ASTM A351 Duplex

- * High quality investment casting body caps.
- * Bolted / in line easy maintenance
- * Pressure temperature rating : 1000 PSI (PN 63) cwp
- * 65mm – 100mm 800 psi cwp -20 to 180 Deg C
- * 15% reinforced glass Teflon seats, in-line repairable.
- * Blow-out proof stem S/S 316, anti-static device.
- * 100% Tested air-under water at 100psi
- * (6 Bars) open & close position



OPTIONS :

- * Padlocking Handle. Pneumatic Actuator or Electric Actuator.
- * Extension Stem for lagging length or temperature relief actuation



Item	Size										
	1/4"	3/8"	1/2"	3/4"	1"	1 1/4"	1 1/2"	2"	2 1/2"	3"	4"
D	11	12.5	15	20	25	32	38	50	65	76	94
H	69	69	72	78	90	95	105	122	155	164	164
W	140	140	140	140	162	162	188	188	233	233	333
H1	38.4	38.4	42	48	55	60	70	85	109	118	115.5
h	9	9	9	9	11	11	14	14	20	20	20
□	9	9	9	9	11	11	14	14	17	17	17
ISO5211	F03	F03	F03	F03	F04	F04	F05	F05	F07	F07	F07
	F04	F04	F04	F04	F05	F05	F07	F07	F10	F10	F10
L	64	64	72	80	85	105	113	132	170	186	226

Uncontrolled document subject to change without notice

Item	Designation	Material
1	Plastic Cover	PVC Plastic
2	Handle	SUS304
3	Bolt	SUS304
4	Nut	SUS304
5	Stem Nut	SUS304
6	Packing Ring	SUS304
7	Thrust Washer	SUS304
8	Stem Packing	PTFE
9	Body Seal	PTFE
10	Cap	CF8M
11	Bolt	SUS304
12	Thrust Washer	SUS304
13	Nut	SUS304
14	Body	CF8M
15	Ball	CF8M
16	Stem Seal	PTFE
17	Stem	SUS304
18	Gland Ring	SUS304

VALVE AND FLOW CONTROL SPECIALISTS

Brisbane Sydney Melbourne Perth

E-mail sales@valveandflowcontrolspecialists.com