



VALVE AND FLOW CONTROL SPECIALISTS
SERVICE AND RELIABILITY

ASA 150 FF FLANGED UPVC BALL VALVE

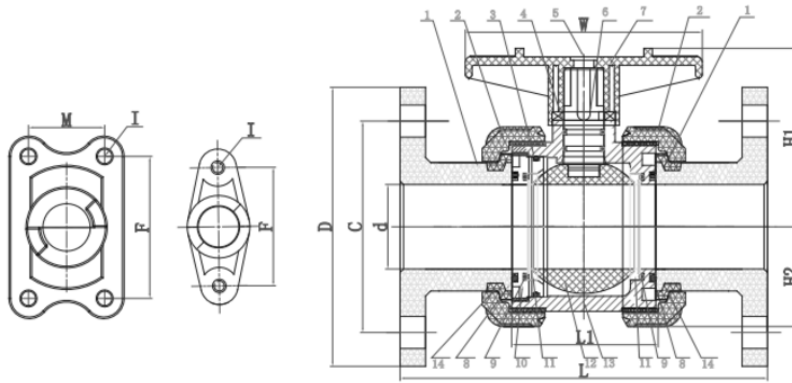
Figure No VBL-P159E

3 - PC Flanged Ball Valve UPVC FULL PORT

End Connection : ANSI 150, Flat faced
Size Range: DN25 to DN 150 (1" to 4")
Materials : UPVC
 EPDM standard or optional FKM



- * PVC UV stabilized true union style.
- * PTFE seals as standard
- * Chemlock feature locks ball valve for inline maintenance
- * Pad Lockable Lever
- * Max Operating temp 60 Deg C
- * Max CWP 145psi



| Size | d | C | D | L | L1 | W | H1 | H2 | F | M | I | n-e |
|------|----|-------|-----|-----|------|-----|-------|-------|-----|----|-----|------|
| 15 | 15 | 60.5 | 95 | 134 | 52 | 84 | 52 | 27.5 | 31 | - | M6 | 4-15 |
| 20 | 20 | 70 | 105 | 144 | 54 | 90 | 59 | 32 | 33 | - | M6 | 4-15 |
| 25 | 25 | 79.5 | 125 | 160 | 62 | 106 | 67.5 | 37.25 | 40 | - | M6 | 4-19 |
| 32 | 32 | 89 | 140 | 178 | 70 | 116 | 77.5 | 42.75 | 52 | - | M8 | 4-19 |
| 40 | 40 | 98.5 | 150 | 195 | 79.5 | 128 | 90 | 50 | 52 | - | M8 | 4-19 |
| 50 | 50 | 120.7 | 165 | 215 | 85 | 140 | 106 | 60 | 70 | - | M8 | 4-19 |
| 65 | 63 | 139.7 | 182 | 320 | 133 | 210 | 136.5 | 76.5 | 84 | 45 | M10 | 4-19 |
| 80 | 75 | 152 | 200 | 350 | 146 | 235 | 149.5 | 86 | 84 | 45 | M10 | 8-19 |
| 100 | 90 | 190.5 | 228 | 395 | 160 | 260 | 175 | 107 | 121 | 49 | M12 | 8-19 |

| Number | Part Name | Material | QTY |
|---------|----------------|-------------|-----|
| 3,4,8,9 | O-Ring | EPDM or FKM | 7 |
| 1 | Socket End | UPVC | 2 |
| 2 | Cap | UPVC | 2 |
| 6 | Shaft | UPVC | 1 |
| 7 | Handle | ABS | 1 |
| 10 | Lining | UPVC | 1 |
| 11 | Anti-leak Ring | PTFE | 2 |
| 12 | Ball | UPVC | 1 |
| 13 | Body | UPVC | 1 |
| 14 | Flange Buckle | UPVC | 2 |

| Size | DN(mm) | Media Pressure | Media Temperature | Torque (Nm) |
|------|--------|------------------|-------------------|-------------|
| 1 | 25 | Vacuum to 10 Bar | 0°C to 60°C | 4 |
| 1¼ | 32 | Vacuum to 10 Bar | 0°C to 60°C | 5 |
| 1½ | 40 | Vacuum to 10 Bar | 0°C to 60°C | 7.5 |
| 2 | 50 | Vacuum to 10 Bar | 0°C to 60°C | 8.5 |
| 2½ | 65 | Vacuum to 10 Bar | 0°C to 60°C | 13 |
| 3 | 80 | Vacuum to 10 Bar | 0°C to 60°C | 16 |
| 4 | 100 | Vacuum to 10 Bar | 0°C to 60°C | 25 |

Details are current at time of publication and could vary with manufacturing enhancements.

VALVE AND FLOW CONTROL SPECIALISTS
 Brisbane Sydney Melbourne Perth Darwin
 E-mail sales@valveandflowcontrolspecialists.com