



VALVE AND FLOW CONTROL SPECIALISTS
SERVICE AND RELIABILITY

STAINLESS STEEL 3 PIECE BALL VALVE
FIGURE NO. VBL-S1003
3 - PC BALL VALVES. FULL PORT. 1000 WOG



End Type : Threaded end. Socket weld end. Butt-weld end
Materials : ASTM A351-CF8M (DIN 1.4408) Stainless Steel

- * Investment casting body caps BSPT thread.
- * Bolted / in line easy maintenance
- * Pressure temperature rating : 1000 PSI (PN 63 CWP) / 150 deg.C
- * Teflon seats, in-line repairable.
- * Blow-out proof stem S/S 316, adjustable stem packing.
- * 100% Tested air-under water at 100psi
- * (6 Bars) open & close position

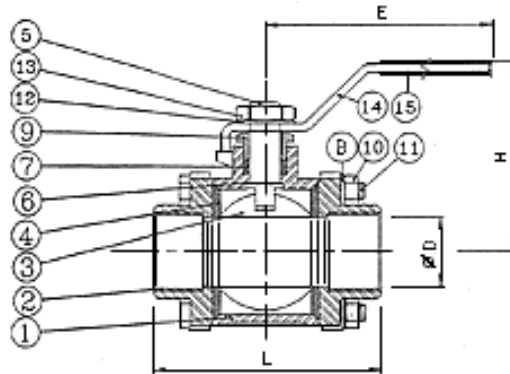
OPTIONS :

- * Padlocking Handle. Pneumatic Actuator or Electric Actuator.
- * Mounting Bracket & Extension Shaft.

MODEL NO : VBL-S1003
SIZE : 1/4"-4"FULL BORE
THREADED END : BSPT.or NPT.

MATERIAL LIST

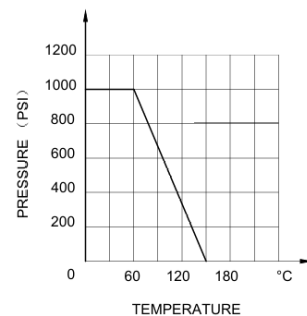
NO.	PART NAME	MATERIAL	Q'TY
1	BODY	CF8M	1
2	CAP	CF8M	2
3	BALL	AISI 316	1
4	SEAT	PTFE	2
5	STEM	AISI 316	1
6	THRUST PACKING	TEFLON	1
7	STEM PACKING	TEFLON	3
8	LOCK WASHER	AISI 304	4
9	GLAND NUT	AISI 304	4
10	BONNET	AISI 304	4
11	HEX.NUT	AISI 304	1
12	LOCK WASHER	AISI 304	1
13	STEM NUT	AISI 304	1
14	HANDLE	AISI 304	1
15	PLASTIC COVER	PLASTIC	1



For Continuous service temperatures above 150 Deg C refer VBL-S1003TFM (250 Deg C)

DIMENSIONS (MM)

SIZE	D 0.5	L 1.0	H 3.0	E 3.0	WT/KG
1/4"	11.6	57	50.5	100	0.50
3/8"	13	57	50.5	100	0.50
1/2"	16	73	60	130	0.60
3/4"	20.6	82	64	130	0.90
1"	25.4	88	71	165	1.00
1 1/4"	32	110	78	165	2.00
1 1/2"	38	120	86	190	2.30
2"	50.8	132	95	190	6.00
2 1/2"	65	165	130	250	7.00
3"	80	183	149	250	9.00
4"	100	236	184	280	16.00



2022 Uncontrolled document subject to change without notice.