



**VALVE AND FLOW CONTROL SPECIALISTS**  
*SERVICE AND RELIABILITY*

## UPVC 3 WAY BALL VALVES

### Figure No VBL-P139E

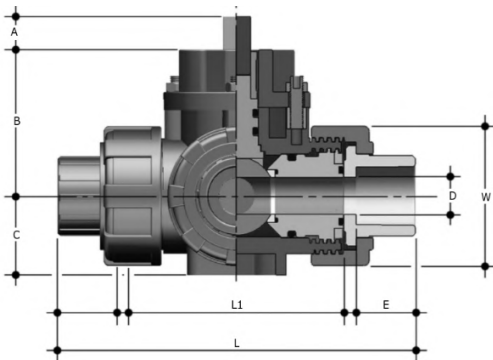
#### True Union 3 Way Ball Valve UPVC FULL PORT

**End Connection :** BSP or Solvent weld  
**Size Range:** DN15 to DN 100 (1" to 2")  
**Materials :** UPVC  
 EPDM standard or optional FKM

- \* PVC UV stabilized true union style.
- \* PTFE seals as standard
- \* Chemlock feature locks ball valve for inline maintenance
- \* Pad Lockable Lever
- \* Max Operating temp 40 Deg C
- \* Max CWP 145psi
- \* L Port (VBL-P139EL) or T Port (VBL-P139ET)



\*Actuation friendly – pneumatic or electric



Size	DN(mm)	Media Pressure	Media Temperature	Torque (Nm)
1/2	15	-1 to 10 Bar	40	3
3/4	20	-1 to 10 Bar	40	5
1	25	-1 to 10 Bar	40	6
1 ¼	32	-1 to 10 Bar	40	6
1 ½	40	-1 to 10 Bar	40	14
2	50	-1 to 10 Bar	40	23

A	B	C	D	E	W	L	L1
14	55	30	14	23	53	138	83
14	65	38	20	25	69	173	110
14	68	48	25	28	82	200	130
14	68	48	25	32	82	208	130
14	92	65	38	35	117	240	154
14	92	65	38	38	117	249	154

Details are current at time of publication and could vary with manufacturing enhancements.

VALVE AND FLOW CONTROL SPECIALISTS  
 Brisbane Sydney Melbourne Perth Darwin  
 E-mail [sales@valveandflowcontrolspecialists.com](mailto:sales@valveandflowcontrolspecialists.com)