



VALVE AND FLOW CONTROL SPECIALISTS
SERVICE AND RELIABILITY

UPVC BALL VALVE

Figure No VBL-P149E

3 - PC True Union Ball Valve UPVC FULL PORT

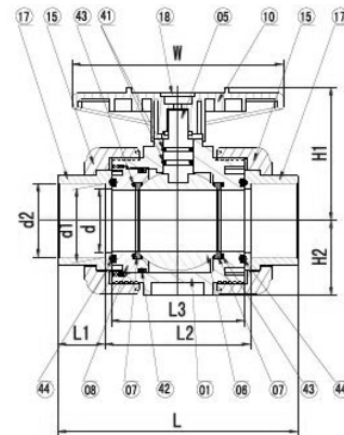
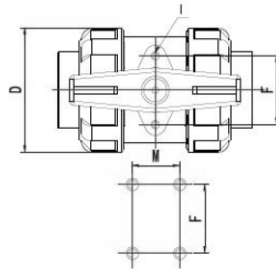
End Connection : BSP or Solvent weld
Size Range: DN15 to DN 100 (1" to 4")
Materials : UPVC
 EPDM standard or optional FKM

- * PVC UV stabilized true union style.
- * PTFE seals as standard
- * Chemlock feature locks ball valve for inline maintenance
- * Pad Lockable Lever
- * Max Operating temp 60 Deg C
- * Max CWP 145psi



*Actuation friendly – pneumatic or electric

Item	Part	Material
01	Body	PVC
05	Stem	PVC
06	Ball	PVC
07	Seat	PTFE
08	Seal Carrier	PVC
10	Handle	ABS
15	Union Nut	PVC
17	Union End	PVC
18	Cap	ABS
41	O-ring	EPDM (std) optional FKM
42	O-ring	EPDM (std) optional FKM
43	O-ring	EPDM (std) optional FKM
44	O-ring	EPDM (std) optional FKM



Size	d	D	d1	d2	L	L2	L3	W	H1	H2	F	M	I
1/2	15	54	24.4	21.25	110	60	52	84	52.5	27.5	31		M6
3/4	20	63	26.75	26.58	115	62	54	90	59	32	33		M6
1	25	73.5	33.52	33.28	130	70	62	106	67.5	37.5	40		M6
1 1/4	32	84.5	42.28	42.05	142	78	70	116	77.5	42.75	52		M8
1 1/2	40	98	48.4	48.12	160	87.5	79.5	128	90	50	52		M8
2	50	118	60.45	60.18	173	95	85	140	106	60	70		M8
2 1/2	63	150	73.3	72.85	250	144.5	132	210	136.5	76.5	84	45	M10
3	75	169	89.25	88.7	270	166	150	235	149.5	86	84	45	M10
4	97	211	114.6	114.1	310	196	172	260	175	107	121	45	M12

Details are current at time of publication and could vary with manufacturing enhancements.

VALVE AND FLOW CONTROL SPECIALISTS
 Brisbane Sydney Melbourne Perth Darwin
 E-mail sales@valveandflowcontrolspecialists.com